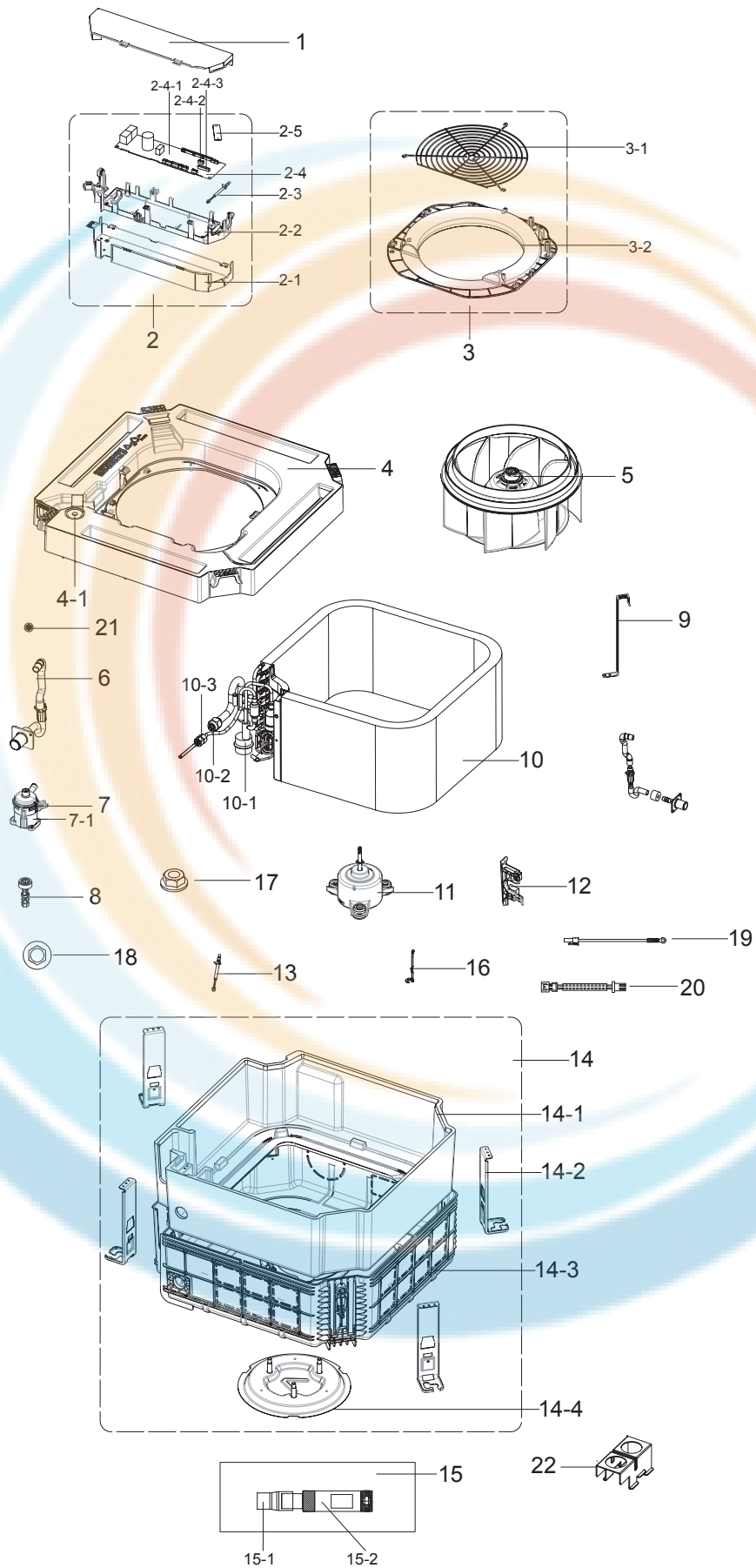


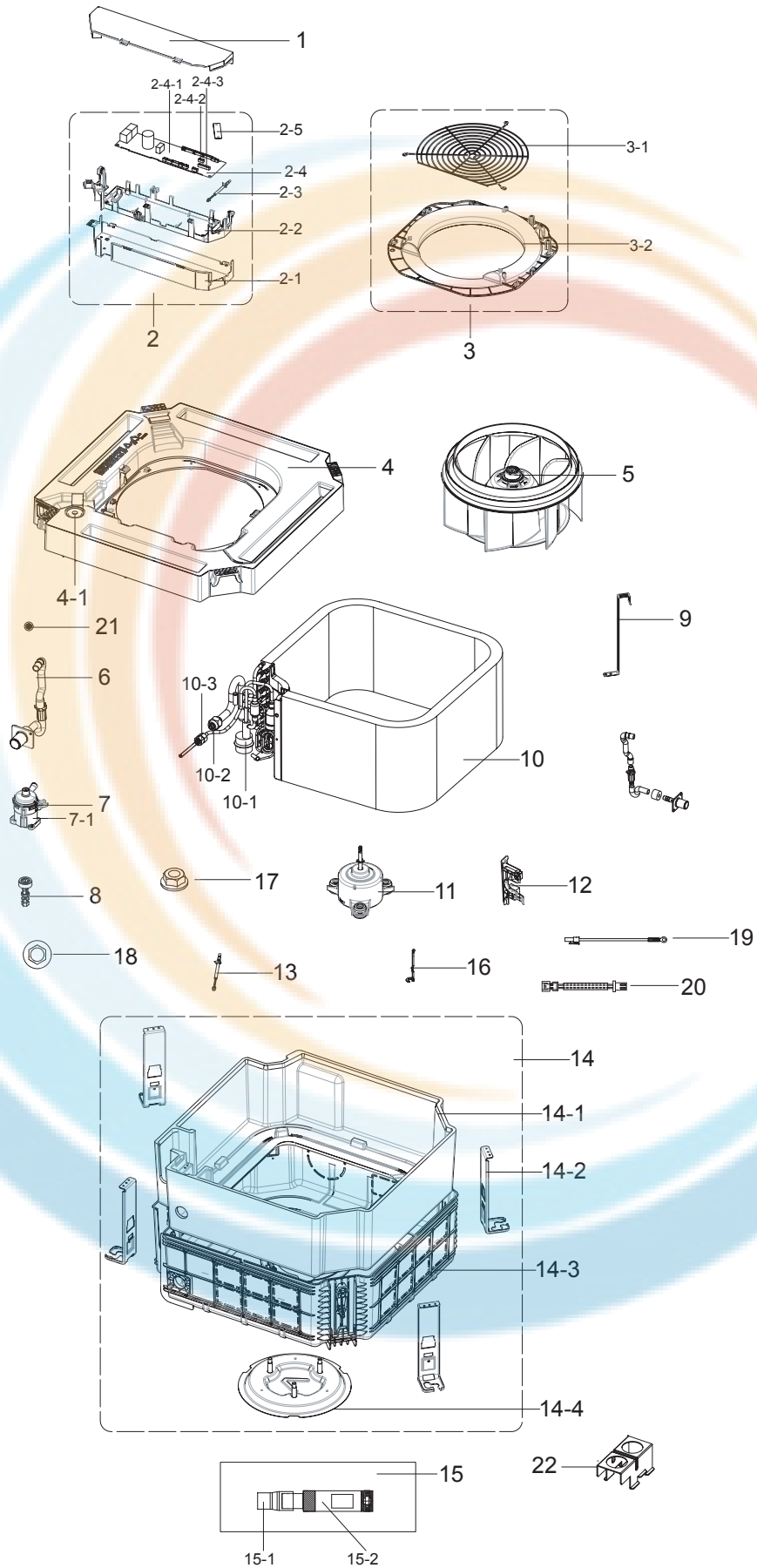
■ Wind-Free Mini 4way AM005NNNDCH/AA



Parts List : AM05NNNDCH/AA

No.	Code No.	Description	Specification	Q'TY	SA/SNA
1	DB90-07026A	ASSY COVER CONTROL	ASS'Y	1	SA
2	DB93-14026A	ASSY CONTROL IN	ASS'Y	1	SNA
2-1	DB61-05328A	PLATE-CASE CONTROL	SGCC-M,T0.5	1	SNA
2-2	DB61-05320A	CASE-CONTROL IN	ABS,NATURAL	1	SA
2-3	DB95-05009A	ASSY THERMISTOR IN-ROOM	ASS'Y	1	SA
2-4	DB92-04579A	ASSY KIT	ASS'Y	1	SNA
2-4-1	DB92-02783G	ASSY PCB MAIN	ASS'Y	1	SA
2-4-2	DB92-04020A	ASSY PCB SUB	ASS'Y	1	SA
2-4-3	DB92-02793A	ASSY FUNCTION	ASS'Y	1	SA
2-5	DB61-05325A	BRACKET-CONTROL IN	SGCC-M,T1.6	1	SNA
3	DB90-07027A	ASSY CASE-BELL MOUTH	ASS'Y	1	SA
3-1	DB63-03253A	GUARD-SAFETY	HSWR,T2.0	1	SA
3-2	DB61-05319A	CASE-BELL MOUTH	HIPS,T2.5	1	SA
4	DB91-01417A	ASSY DRAIN PAN	ASS'Y	1	SA
4-1	DB67-01271A	RUBBER-CAP DRAIN SOCKET	EPDM	1	SA
5	DB94-03385A	ASSY FAN TURBO	ASS'Y	1	SA
6	DB94-03495A	ASSY DRAIN-SOCKET	ASS'Y	1	SA
7	DB94-04236C	ASSY DRAIN-PUMP	ASS'Y	1	SA
7-1	DB31-00649A	PUMP DRAIN	DC12V	1	SA
8	DB95-04462D	SWITCH FLOAT	ASS'Y	1	SA
9	DB61-05322A	HOLDER-EVAP	STS430,T0.6	1	SA
10	DB96-17706E	ASSY EVAP	ASS'Y	1	SA
10-1	DB62-11471A	VALVE GEAR EXPAN	100PPS~250PPS	1	SNA
10-2	DB60-30010C	FASTENER-NUT FLARE	BRASS	1	SA
10-3	DB60-30010A	FASTENER-NUT FLARE	BRASS	1	SA
11	DB31-00578C	MOTOR FAN	FMC6531SSJ	1	SA
12	DB90-07024A	ASSY COVER-PIPE	ASS'Y	1	SA
13	DB95-05011A	ASSY THERMISTOR IN-EVA IN OUT	ASS'Y	1	SA
14	DB90-07025A	ASSY CABI IN	ASS'Y	1	SA
14-1	DB69-02809A	CABINET-CUSHION	GI-SGCC,T1.0	1	SNA
14-2	DB61-05326A	PLATE-HANGER	SGCC-M,T1.6	4	SA
14-3	DB61-05317A	CASE-CABI IN	PP+LFT15%,NATURAL	1	SNA
14-4	DB90-07260A	ASSY BRACKET-MOTOR	ASS'Y	1	SA
15	DB97-21197B	ASSY ACCESSORY-HOSE	ASS'Y	1	SNA
15-1	DB61-06904A	HOLDER-HOSE	ASS'Y	1	SA
15-2	DB94-03287A	ASSY DRAIN-HOSE JOINT	ASS'Y	1	SA
16	DB81-00635A	SPRING ETC-SENSOR	STS304,R2.5	2	SA
17	DB60-00406A	FASTENER-NUT FLANGE	SWRCH10A	1	SA
18	DB60-00462A	FASTENER-NUT WASHER	ZPC	3	SA
19	DB93-08805D	ASSY CONNECTOR WIRE-EARTH	1,1015,18,YEL	1	SA
20	DB93-13688B	ASSY CONNECTOR WIRE-DC SIGNAL	2,1007,24	1	SA
21	DB60-00150A	SCREW-SPECIAL	HWH,M4,L26,ZPC(WHT)	2	SA
22	DB61-05788A	BRACKET-CONDUIT	SGCC-M,T1	1	SA

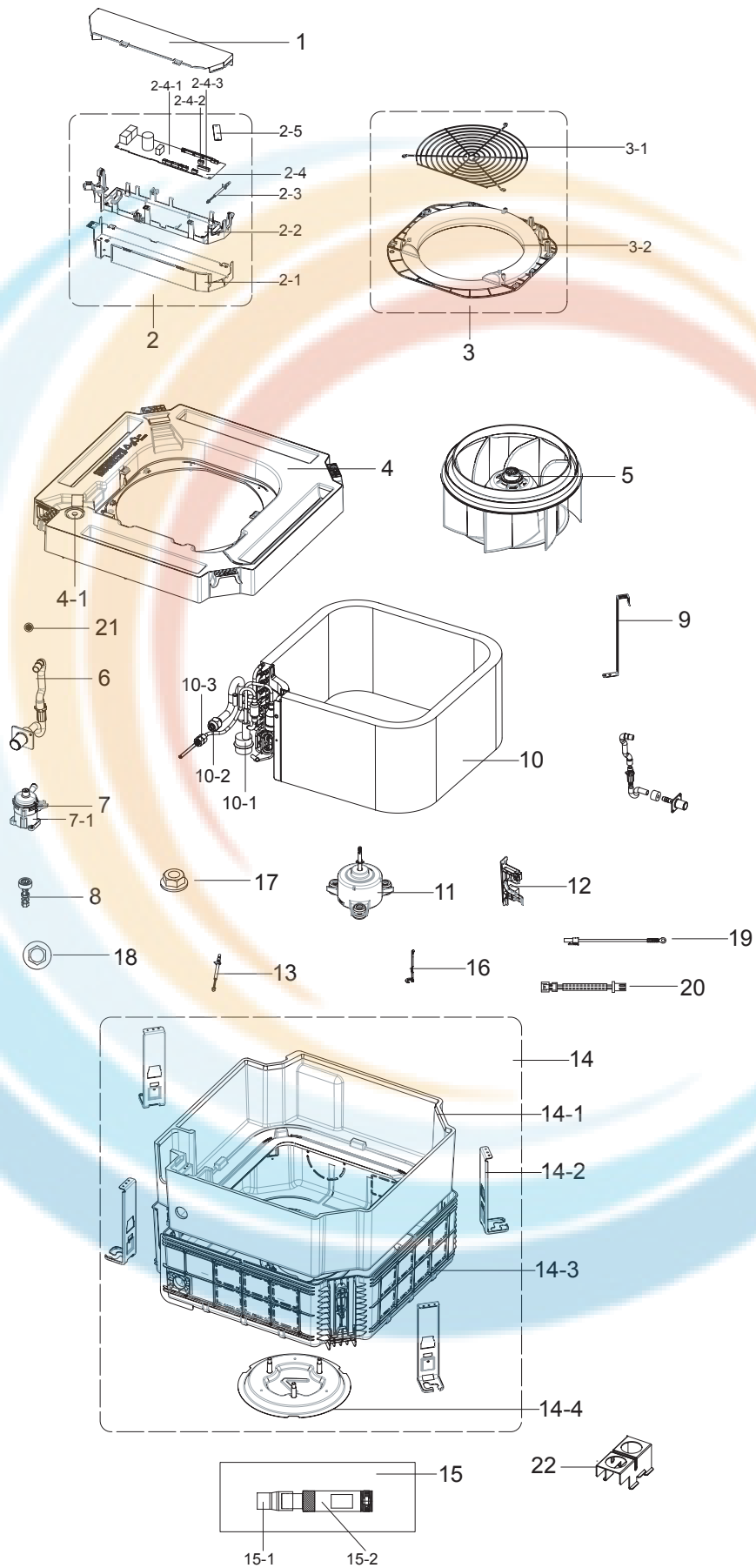
■ Wind-Free Mini 4way
AM007NNNDCH/AA
AM009NNNDCH/AA
AM012NNNDCH/AA



■ Parts List : AM007/009/012NNNDCH/AA

No.	Code No.	Description	Specification	Q'TY	SA/SNA
1	DB90-07026A	ASSY COVER CONTROL	ASS'Y	1	SA
2	DB93-14026A	ASSY CONTROL IN	ASS'Y	1	SNA
2-1	DB61-05328A	PLATE-CASE CONTROL	SGCC-M,T0.5	1	SNA
2-2	DB61-05320A	CASE-CONTROL IN	ABS,NATURAL	1	SA
2-3	DB95-05009A	ASSY THERMISTOR IN-ROOM	ASS'Y	1	SA
2-4	DB92-04579A	ASSY KIT	ASS'Y	1	SNA
2-4-1	DB92-02783G	ASSY PCB MAIN	ASS'Y	1	SA
2-4-2	DB92-04020A	ASSY PCB SUB	ASS'Y	1	SA
2-4-3	DB92-02793A	ASSY FUNCTION	ASS'Y	1	SA
2-5	DB61-05325A	BRACKET-CONTROL IN	SGCC-M,T1.6	1	SNA
3	DB90-07027A	ASSY CASE-BELL MOUTH	ASS'Y	1	SA
3-1	DB63-03253A	GUARD-SAFETY	HSWR,T2.0	1	SA
3-2	DB61-05319A	CASE-BELL MOUTH	HIPS,T2.5	1	SA
4	DB91-01417A	ASSY DRAIN PAN	ASS'Y	1	SA
4-1	DB67-01271A	RUBBER-CAP DRAIN SOCKET	EPDM	1	SA
5	DB94-03385A	ASSY FAN TURBO	ASS'Y	1	SA
6	DB94-03495A	ASSY DRAIN-SOCKET	ASS'Y	1	SA
7	DB94-04236C	ASSY DRAIN-PUMP	ASS'Y	1	SA
7-1	DB31-00649A	PUMP DRAIN	DC12V	1	SA
8	DB95-04462D	SWITCH FLOAT	ASS'Y	1	SA
9	DB61-05322A	HOLDER-EVAP	STS430,T0.6	1	SA
10	DB96-17706C	ASSY EVAP UNIT	ASS'Y	1	SA
10-1	DB62-11471A	VALVE GEAR EXPAN	100PPS~250PPS	1	SNA
10-2	DB60-30010C	FASTENER-NUT FLARE	BRASS	1	SA
10-3	DB60-30010A	FASTENER-NUT FLARE	BRASS	1	SA
11	DB31-00578C	MOTOR FAN	FMC6531SSJ	1	SA
12	DB90-07024A	ASSY COVER-PIPE	ASS'Y	1	SA
13	DB95-05011A	ASSY THERMISTOR IN-EVA IN OUT	ASS'Y	1	SA
14	DB90-07025A	ASSY CABI IN	ASS'Y	1	SA
14-1	DB69-02809A	CABINET-CUSHION	GI-SGCC,T1.0	1	SNA
14-2	DB61-05326A	PLATE-HANGER	SGCC-M,T1.6	4	SA
14-3	DB61-05317A	CASE-CABI IN	PP+LFT15%,NATURAL	1	SNA
14-4	DB90-07260A	ASSY BRACKET-MOTOR	ASS'Y	1	SA
15	DB97-21197B	ASSY ACCESSORY-HOSE	ASS'Y	1	SNA
15-1	DB61-06904A	HOLDER-HOSE	ASS'Y	1	SA
15-2	DB94-03287A	ASSY DRAIN-HOSE JOINT	ASS'Y	1	SA
16	DB81-00635A	SPRING ETC-SENSOR	STS304,R2.5	2	SA
17	DB60-00406A	FASTENER-NUT FLANGE	SWRCH10A	1	SA
18	DB60-00462A	FASTENER-NUT WASHER	ZPC	3	SA
19	DB93-08805D	ASSY CONNECTOR WIRE-EARTH	1,1015,18,YEL	1	SA
20	DB93-13688B	ASSY CONNECTOR WIRE-DC SIGNAL	2,1007,24	1	SA
21	DB60-00150A	SCREW-SPECIAL	HWH,M4,L26,ZPC(WHT)	2	SA
22	DB61-05788A	BRACKET-CONDUIT	SGCC-M,T1	1	SA

■ Wind-Free Mini 4way
AM018NNNDCH/AA
AM020NNNDCH/AA



Parts List : AM018/020NNNDCH/AA

No.	Code No.	Description	Specification	Q'TY	SA/SNA
1	DB90-07026A	ASSY COVER CONTROL	ASS'Y	1	SA
2	DB93-14026A	ASSY CONTROL IN	ASS'Y	1	SNA
2-1	DB61-05328A	PLATE-CASE CONTROL	SGCC-M,T0.5	1	SNA
2-2	DB61-05320A	CASE-CONTROL IN	ABS,NATURAL	1	SA
2-3	DB95-05009A	ASSY THERMISTOR IN-ROOM	ASS'Y	1	SA
2-4	DB92-04579A	ASSY KIT	ASS'Y	1	SNA
2-4-1	DB92-02783G	ASSY PCB MAIN	ASS'Y	1	SA
2-4-2	DB92-04020A	ASSY PCB SUB	ASS'Y	1	SA
2-4-3	DB92-02793A	ASSY FUNCTION	ASS'Y	1	SA
2-5	DB61-05325A	BRACKET-CONTROL IN	SGCC-M,T1.6	1	SNA
3	DB90-07027A	ASSY CASE-BELL MOUTH	ASS'Y	1	SA
3-1	DB63-03253A	GUARD-SAFETY	HSWR,T2.0	1	SA
3-2	DB61-05319A	CASE-BELL MOUTH	HIPS,T2.5	1	SA
4	DB91-01417A	ASSY DRAIN PAN	ASS'Y	1	SA
4-1	DB67-01271A	RUBBER-CAP DRAIN SOCKET	EPDM	1	SA
5	DB94-03385A	ASSY FAN TURBO	ASS'Y	1	SA
6	DB94-03495A	ASSY DRAIN-SOCKET	ASS'Y	1	SA
7	DB94-04236C	ASSY DRAIN-PUMP	ASS'Y	1	SA
7-1	DB31-00649A	PUMP DRAIN	DC12V	1	SA
8	DB95-04462D	SWITCH FLOAT	ASS'Y	1	SA
9	DB61-05322A	HOLDER-EVAP	STS430,T0.6	1	SA
10	DB96-17706D	ASSY EVAP	ASS'Y	1	SA
10-1	DB62-11471A	VALVE GEAR EXPAN	100PPS~250PPS	1	SNA
10-2	DB60-30010C	FASTENER-NUT FLARE	BRASS	1	SA
10-3	DB60-30010A	FASTENER-NUT FLARE	BRASS	1	SA
11	DB31-00578C	MOTOR FAN	FMC6531SSJ	1	SA
12	DB90-07024A	ASSY COVER-PIPE	ASS'Y	1	SA
13	DB95-05011A	ASSY THERMISTOR IN-EVA IN OUT	ASS'Y	1	SA
14	DB90-07025A	ASSY CABI IN	ASS'Y	1	SA
14-1	DB69-02809A	CABINET-CUSHION	GI-SGCC,T1.0	1	SNA
14-2	DB61-05326A	PLATE-HANGER	SGCC-M,T1.6	4	SA
14-3	DB61-05317A	CASE-CABI IN	PP+LFT15%,NATURAL	1	SNA
14-4	DB90-07260A	ASSY BRACKET-MOTOR	ASS'Y	1	SA
15	DB97-21197B	ASSY ACCESSORY-HOSE	ASS'Y	1	SNA
15-1	DB61-06904A	HOLDER-HOSE	ASS'Y	1	SA
15-2	DB94-03287A	ASSY DRAIN-HOSE JOINT	ASS'Y	1	SA
16	DB81-00635A	SPRING ETC-SENSOR	STS304,R2.5	2	SA
17	DB60-00406A	FASTENER-NUT FLANGE	SWRCH10A	1	SA
18	DB60-00462A	FASTENER-NUT WASHER	ZPC	3	SA
19	DB93-08805D	ASSY CONNECTOR WIRE-EARTH	1,1015,18,YEL	1	SA
20	DB93-13688B	ASSY CONNECTOR WIRE-DC SIGNAL	2,1007,24	1	SA
21	DB60-00150A	SCREW-SPECIAL	HWH,M4,L26,ZPC(WHT)	2	SA
22	DB61-05788A	BRACKET-CONDUIT	SGCC-M,T1	1	SA