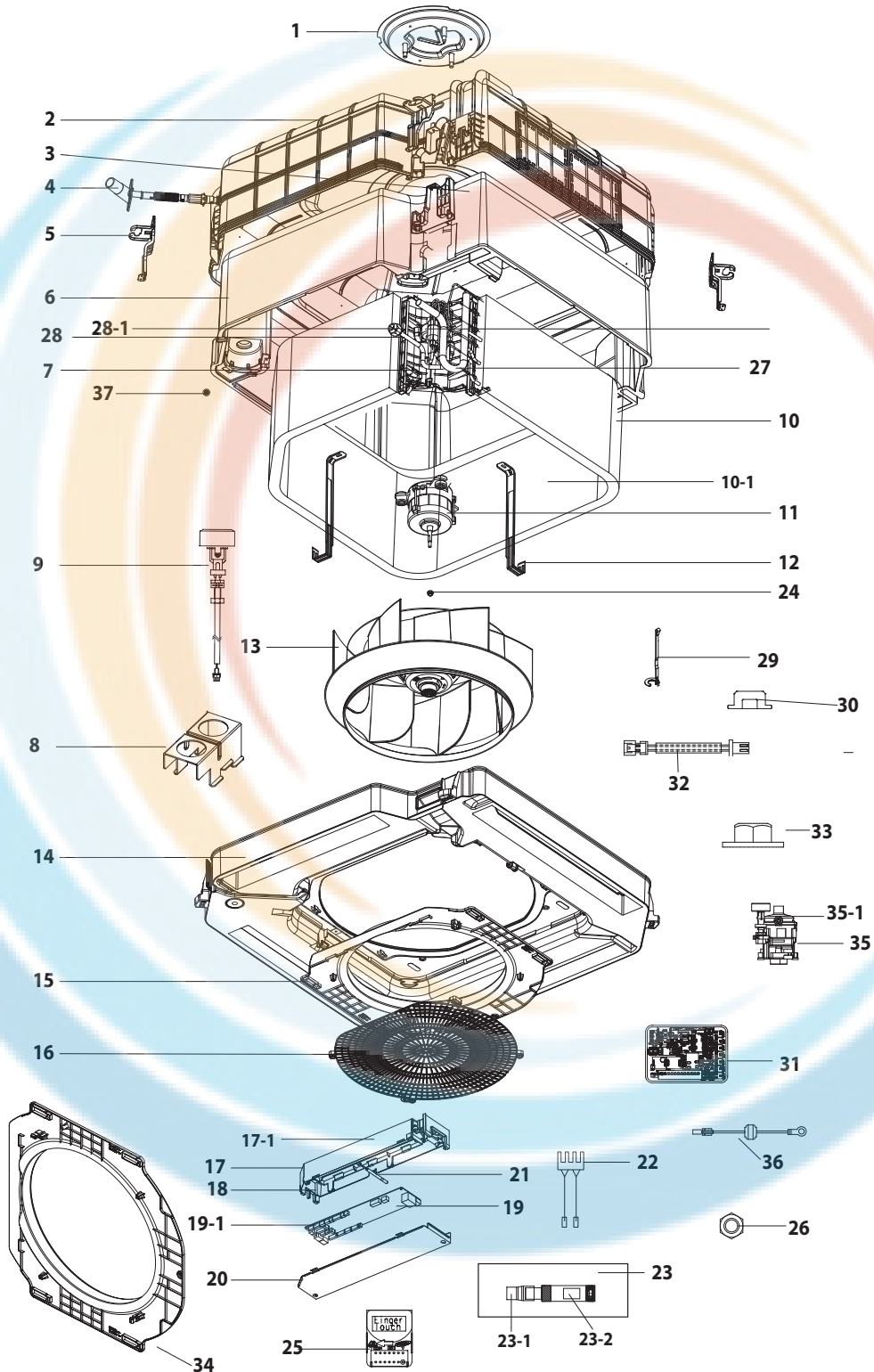


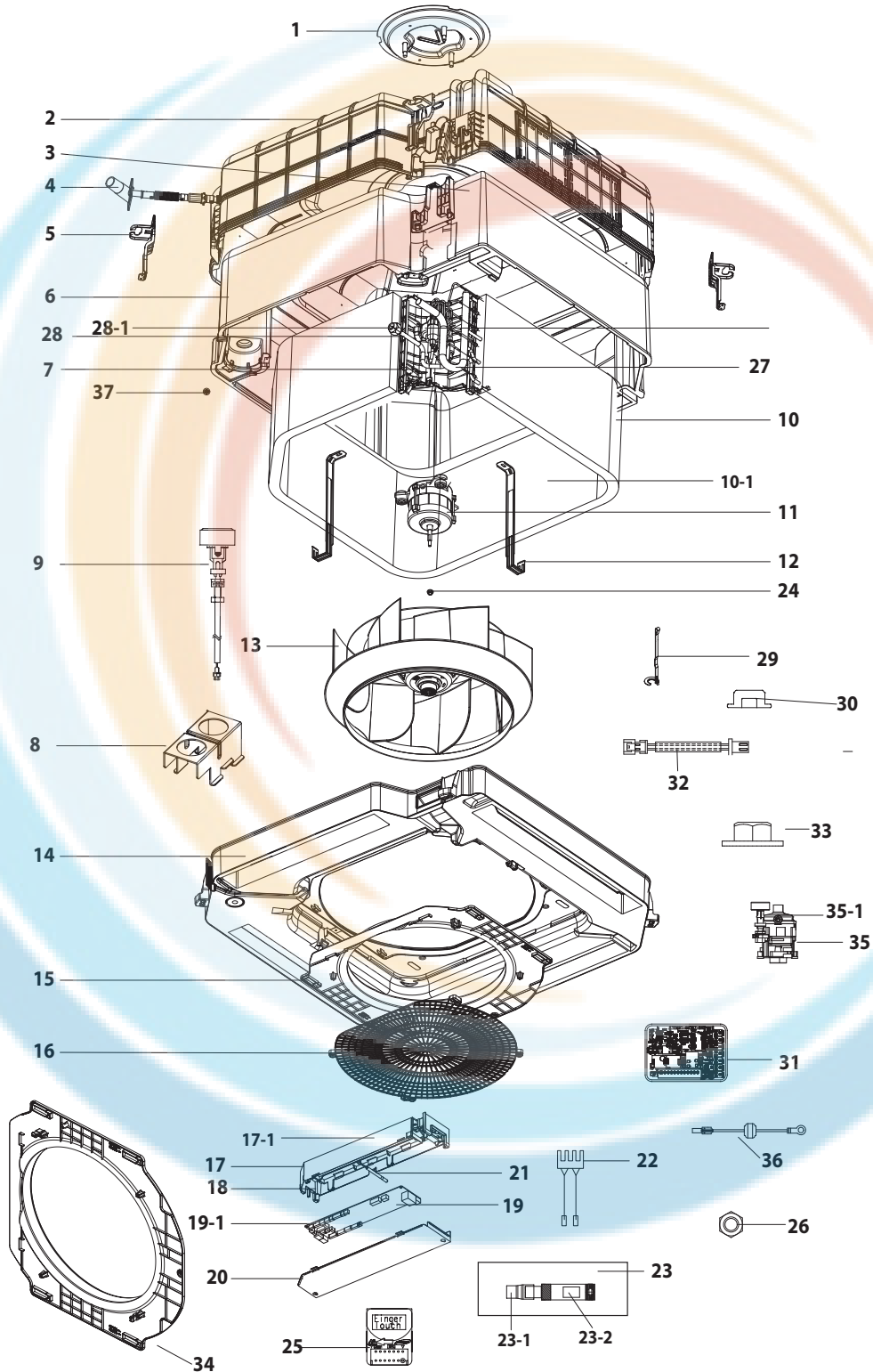
■ Wind-Free Global 4way  
AM009NN4DCH/AA  
AM012NN4DCH/AA  
AM018NN4DCH/AA



## ■ Parts List

No.	Code No.	Description	Specification	Q'TY	SA/SNA
1	DB90-07260A	ASSY BRACKET-MOTOR	ASS'Y	1	SA
2	DB90-07316A	ASSY CASE-CABI IN	ASS'Y	1	SA
3	DB90-07317A	ASSY COVER-PIPE	ASS'Y	1	SA
4	DB94-03582A	ASSY DRAIN-SOCKET	ASS'Y	1	SA
5	DB61-05259A	PLATE-HANGER	SGCC-M,T1.6	4	SA
6	DB63-03159A	CUSHION-CABI IN	EPS 30,WHITE	1	SNA
7	DB61-05276A	CASE-PARTITION EVAP	HIPS,BLACK	1	SNA
8	DB61-05788A	BRACKET-CONDUIT	ASS'Y	1	SA
9	DB95-04462D	SWITCH FLOAT	ASS'Y	1	SA
10	DB96-23377A	ASSY EVAP-UNIT	ASS'Y	1	SNA
10-1	DB96-17730F	ASSY EVAP	ASS'Y	1	SA
11	DB31-00578B	MOTOR FAN	FMC6531SSH	1	SA
12	DB61-05280A	HOLDER-EVAP	STS430,T0.6	2	SA
13	DB94-03503A	ASSY FAN TUBRO	ASS'Y	1	SA
14	DB94-03581A	ASSY DRAIN PAN	ASS'Y	1	SA
15	DB90-07318A	ASSY CASE-BELL MOUTH	ASS'Y	1	SA
16	DB63-03161A	COVER-SAFETY	ABS,INNER GRAY	1	SA
17	DB93-16150A	ASSY CONTROL IN	ASS'Y	1	SNA
17-1	DB61-05270A	PLATE-CASE CONTROL	SGCC,T0.7	1	SNA
18	DB61-05269A	CASE CONTROL-IN	SGCC-M,T1.6	1	SA
19	DB92-04579B	ASSY KIT	ASS'Y	1	SNA
19-1	DB92-02783G	ASSY PCB MAIN	ASS'Y	1	SA
20	DB61-05266A	PLATE-COVER CONTROL	SGCC-M,T0.5	1	SA
21	DB95-05009A	ASSY THERMISTOR IN-ROOM	ASS'Y	1	SA
22	DB95-05011A	ASSY THERMISTOR IN-EVA IN OUT	ASS'Y	1	SA
23	DB97-21197B	ASSY ACCESSORY-HOSE	ASS'Y	1	SA
23-1	DB61-06904A	HOLDER-HOSE	PVC,T3.5,BLACK,P-1000	1	SA
23-2	DB94-03287A	ASSY DRAIN-HOSE JOINT	ASS'Y	1	SA
24	DB60-00406A	FASTENER-NUT FLANGE	SWRCH10A ZPC,WHITE	1	SA
25	DB92-04020A	ASSY PCB SUB	ASS'Y	1	SA
26	DB60-30010C	FASTENER-NUT FLARE	BRASS	1	SA
27	DB96-17727C	ASSY TUBE EVAP OUT	ASS'Y	1	SNA
28	DB96-17975C	ASSY TUBE EVAP IN	ASS'Y	1	SNA
28-1	DB60-30010A	FASTENER-NUT FLARE	BRASS	1	SA
29	DB81-00635A	SPRING ETC-SENSOR	STS304,R2.5	2	SA
30	DB67-01271A	RUBBER-CAP DRAIN SOCKET	EPDM,GRAY BLUE	1	SA
31	DB92-02793A	ASSY FUNCTION	ASS'Y	1	SA
32	DB93-13688B	ASSY CONNECTOR WIRE-DC SIGNAL	2P-2P,90mm	1	SA
33	DB60-00462A	FASTENER-NUT WASHER	ZPC	3	SA
34	DB61-05271A	CASE-BELL MOUTH	HIPS,INNER-GRAY	1	SC
35	DB94-04236B	ASSY DRAIN-PUMP	ASS'Y	1	SA
35-1	DB31-00649C	PUMP DRAIN	400,PBT,1200	1	SA
36	DB93-08805D	ASSY CONNECTOR WIRE-EARTH	PBA-PLATE	1	SA
37	DB60-00150A	SCREW-SPECIAL	BRASS	2	SA

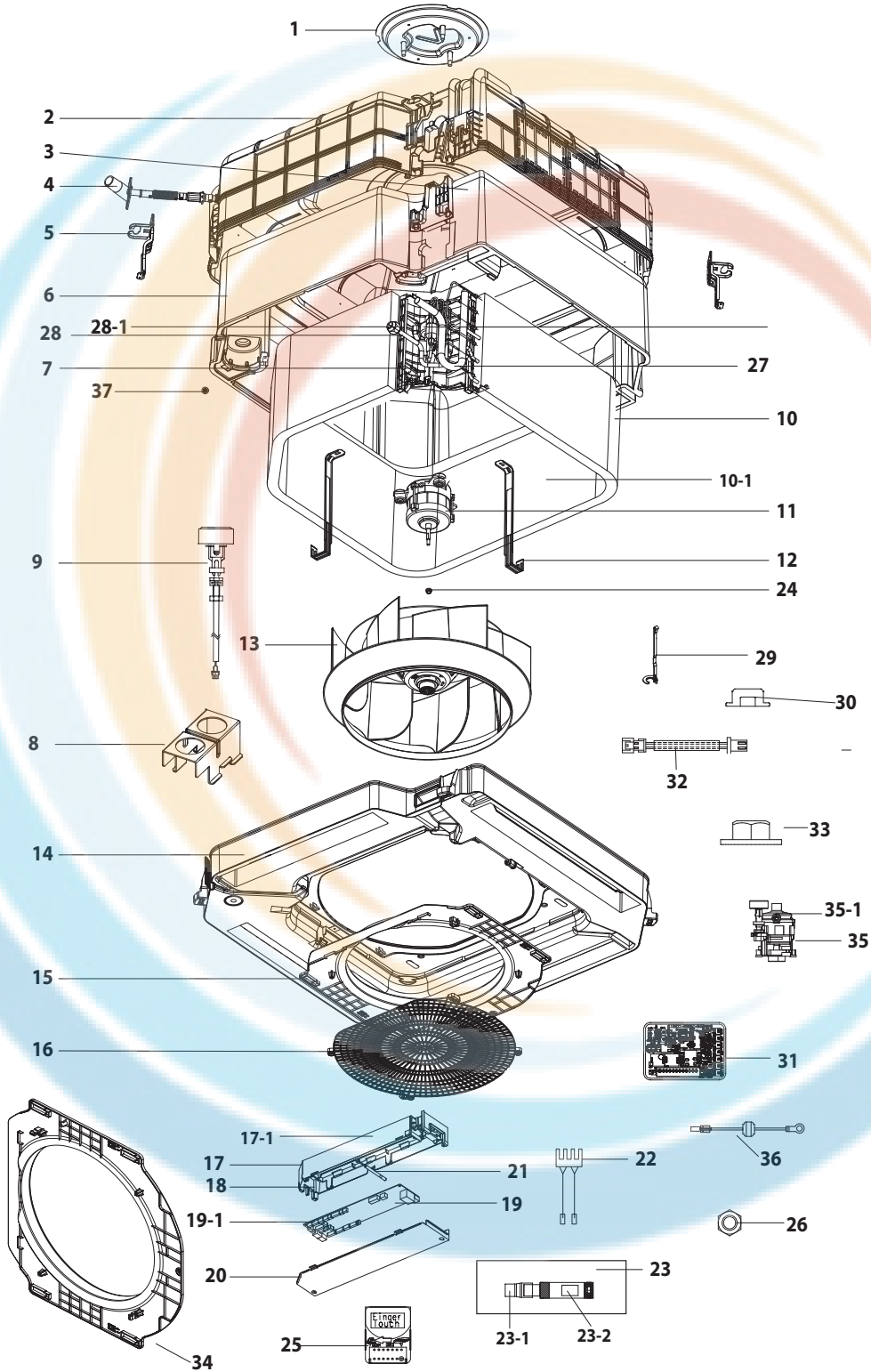
# ■ Wind-Free Global 4way AM024NN4DCH/AA



## ■ Parts List

No.	Code No.	Description	Specification	Q'TY	SA/SNA
1	DB90-07260A	ASSY BRACKET-MOTOR	ASS'Y	1	SA
2	DB90-07316A	ASSY CASE-CABI IN	ASS'Y	1	SA
3	DB90-07317A	ASSY COVER-PIPE	ASS'Y	1	SA
4	DB94-03582A	ASSY DRAIN-SOCKET	ASS'Y	1	SA
5	DB61-05259A	PLATE-HANGER	SGCC-M,T1.6	4	SA
6	DB63-03159A	CUSHION-CABI IN	EPS 30,WHITE	1	SNA
7	DB61-05276A	CASE-PARTITION EVAP	HIPS,BLACK	1	SNA
8	DB61-05788A	BRACKET-CONDUIT	ASS'Y	1	SA
9	DB95-04462D	SWITCH FLOAT	ASS'Y	1	SA
10	DB96-23378A	ASSY EVAP-UNIT	ASS'Y	1	SNA
10-1	DB96-17730G	ASSY EVAP	ASS'Y	1	SA
11	DB31-00578B	MOTOR FAN	FMC6531SSH	1	SA
12	DB61-05280A	HOLDER-EVAP	STS430,T0.6	2	SA
13	DB94-03503A	ASSY FAN TUBRO	ASS'Y	1	SA
14	DB94-03581A	ASSY DRAIN PAN	ASS'Y	1	SA
15	DB90-07318A	ASSY CASE-BELL MOUTH	ASS'Y	1	SA
16	DB63-03161A	COVER-SAFETY	ABS,INNER GRAY	1	SA
17	DB93-16150A	ASSY CONTROL IN	ASS'Y	1	SNA
17-1	DB61-05270A	PLATE-CASE CONTROL	SGCC,T0.7	1	SNA
18	DB61-05269A	CASE CONTROL-IN	SGCC-M,T1.6	1	SA
19	DB92-04579B	ASSY KIT	ASS'Y	1	SNA
19-1	DB92-02783G	ASSY PCB MAIN	ASS'Y	1	SA
20	DB61-05266A	PLATE-COVER CONTROL	SGCC-M,T0.5	1	SA
21	DB95-05009A	ASSY THERMISTOR IN-ROOM	ASS'Y	1	SA
22	DB95-05011A	ASSY THERMISTOR IN-EVA IN OUT	ASS'Y	1	SA
23	DB97-21197B	ASSY ACCESSORY-HOSE	ASS'Y	1	SA
23-1	DB61-06904A	HOLDER-HOSE	PVC,T3.5,BLACK,P-1000	1	SA
23-2	DB94-03287A	ASSY DRAIN-HOSE JOINT	ASS'Y	1	SA
24	DB60-00406A	FASTENER-NUT FLANGE	SWRCH10A ZPC,WHITE	1	SA
25	DB92-04020A	ASSY PCB SUB	ASS'Y	1	SA
26	DB60-30010D	FASTENER-NUT FLARE	BRASS	1	SNA
27	DB96-17727D	ASSY TUBE EVAP OUT	ASS'Y	1	SNA
28	DB96-17975D	ASSY TUBE EVAP IN	ASS'Y	1	SNA
28-1	DB60-30010B	FASTENER-NUT FLARE	BRASS	1	SA
29	DB81-00635A	SPRING ETC-SENSOR	STS304,R2.5	2	SA
30	DB67-01271A	RUBBER-CAP DRAIN SOCKET	EPDM,GRAY BLUE	1	SA
31	DB92-02793A	ASSY FUNCTION	ASS'Y	1	SA
32	DB93-13688B	ASSY CONNECTOR WIRE-DC SIGNAL	2P-2P,90mm	1	SA
33	DB60-00462A	FASTENER-NUT WASHER	ZPC	3	SA
34	DB61-05271A	CASE-BELL MOUTH	HIPS,INNER-GRAY	1	SC
35	DB94-04236B	ASSY DRAIN-PUMP	ASS'Y	1	SA
35-1	DB31-00649C	PUMP DRAIN	400,PBT,1200	1	SA
36	DB93-08805D	ASSY CONNECTOR WIRE-EARTH	PBA-PLATE	1	SA
37	DB60-00150A	SCREW-SPECIAL	BRASS	2	SA

■ Wind-Free Global 4way  
AM030NN4DCH/AA  
AM036NN4DCH/AA  
AM048NN4DCH/AA



## ■ Parts List

No.	Code No.	Description	Specification	Q'TY	SA/SNA
1	DB90-07260A	ASSY BRACKET-MOTOR	ASS'Y	1	SA
2	DB90-07315A	ASSY CASE-CABI IN LRG	ASS'Y	1	SA
3	DB90-07317A	ASSY COVER-PIPE	ASS'Y	1	SA
4	DB94-03582B	ASSY DRAIN-SOCKET	ASS'Y	1	SA
5	DB61-05259A	PLATE-HANGER	SGCC-M,T1.6	4	SA
6	DB63-03160A	CUSHION-CABI IN	EPS 30,WHITE	1	SNA
7	DB61-05277A	CASE-PARTITION EVAP	HIPS,BLACK	1	SNA
8	DB61-05788A	BRACKET-CONDUIT	ASS'Y	1	SA
9	DB95-04462D	SWITCH FLOAT	ASS'Y	1	SA
10	DB96-23379A	ASSY EVAP-UNIT	ASS'Y	1	SNA
10-1	DB96-14482D	ASSY EVAP	ASS'Y	1	SA
11	DB31-00577A	MOTOR FAN	FMC9731SSB	1	SA
12	DB61-05281A	HOLDER-EVAP	STS430,T0.6	2	SA
13	DB94-03502A	ASSY FAN TUBRO	ASS'Y	1	SA
14	DB94-03581A	ASSY DRAIN PAN	ASS'Y	1	SA
15	DB90-07318A	ASSY CASE-BELL MOUTH	ASS'Y	1	SA
16	DB63-03161A	COVER-SAFETY	ABS,INNER GRAY	1	SA
17	DB93-16150A	ASSY CONTROL IN	ASS'Y	1	SNA
17-1	DB61-05270A	PLATE-CASE CONTROL	SGCC,T0.7	1	SNA
18	DB61-05269A	CASE CONTROL-IN	SGCC-M,T1.6	1	SA
19	DB92-04579B	ASSY KIT	ASS'Y	1	SNA
19-1	DB92-02783G	ASSY PCB MAIN	ASS'Y	1	SA
20	DB61-05266A	PLATE-COVER CONTROL	SGCC-M,T0.5	1	SA
21	DB95-05009A	ASSY THERMISTOR IN-ROOM	ASS'Y	1	SA
22	DB95-05011E	ASSY THERMISTOR IN	ASS'Y	1	SA
23	DB97-21197B	ASSY ACCESSORY-HOSE	ASS'Y	1	SA
23-1	DB61-06904A	HOLDER-HOSE	PVC,T3.5,BLACK,P-1000	1	SA
23-2	DB94-03287A	ASSY DRAIN-HOSE JOINT	ASS'Y	1	SA
24	DB60-00406A	FASTENER-NUT FLANGE	SWRCH10A ZPC,WHITE	1	SA
25	DB92-04020A	ASSY PCB SUB	ASS'Y	1	SA
26	DB60-30010D	FASTENER-NUT FLARE	BRASS	1	SNA
27	DB96-17729B	ASSY TUBE EVAP OUT	ASS'Y	1	SNA
28	DB96-17987B	ASSY TUBE EVAP IN	ASS'Y	1	SNA
28-1	DB60-30010B	FASTENER-NUT FLARE	BRASS	1	SA
29	DB81-00635A	SPRING ETC-SENSOR	STS304,R2.5	2	SA
30	DB67-01271A	RUBBER-CAP DRAIN SOCKET	EPDM,GRAY BLUE	1	SA
31	DB92-02793A	ASSY FUNCTION	ASS'Y	1	SA
32	DB93-13688B	ASSY CONNECTOR WIRE-DC SIGNAL	2P-2P,90mm	1	SA
33	DB60-00462A	FASTENER-NUT WASHER	ZPC	3	SA
34	DB61-05271A	CASE-BELL MOUTH	HIPS,INNER-GRAY	1	SC
35	DB94-04236B	ASSY DRAIN-PUMP	ASS'Y	1	SA
35-1	DB31-00649C	PUMP DRAIN	400,PBT,1200	1	SA
36	DB93-08805D	ASSY CONNECTOR WIRE-EARTH	PBA-PLATE	1	SA
37	DB60-00150A	SCREW-SPECIAL	BRASS	2	SA