

Job Name _____
 Purchaser _____
 Submitted to _____
 Unit Designation _____

Location _____
 Engineer _____
 Reference _____ Approval _____ Construction _____
 Schedule # _____

Specifications

Performance ¹	Nominal Capacity	Cooling (Btu/h)	9,000
		Heating (Btu/h)	10,000
Power	Voltage (ø/V/Hz)		1 / 208-230 / 60
	Nominal Running Current (A)		0.25
	MCA		0.41
	MOP		15
Fan	Type	Turbo (1)	
	Motor	Type	BLDC
		Output (W)	65
Airflow	CFM (UL)	H/M/L	547 / 494 / 424
Refrigerant	Type	R410A	
	Control Method	Electronic Expansion Valve	
Piping Connections	Liquid (flare)	Inches	1/4
	Suction (flare)	Inches	1/2
	Drain	Inches	VP25 (OD 1 1/4, ID 1)
Unit Dimensions	W X H X D	Inches	33 1/16 X 8 1/16 X 33 1/16
	Weight	lbs.	33.07
Fascia Panel (required) ²	Model Number (Wind-Free™)		PC4NUFMUN
	L X W X H	Inches	37 3/8 X 37 3/8 X 2 1/2
	Weight	lbs.	13.89
	Model Number (Standard)		PC4NUSKUN
	L X W X H	Inches	37 3/8 X 37 3/8 X 1 3/4
	Weight	lbs.	12.79
Sound Level	H / M / L	dB(A)	32 / 30 / 28
Accessories	Fascia Panel (Wind-Free™)		PC4NUFMUN
	Fascia Panel (Standard)		PC4NUSKUN
	External Contact Control		MIM-B14
	Motion Occupancy Sensor		MCR-SMC
	External Temperature Sensor		MRW-TA
	Wireless Remote Controller		AR-EH03U
	CN83 Pigtail (for 12VDC VENT output)		DB39-01263A
	MTFC - Multi-Tenant Function Controller		MCM-C210N
	MERV 13 Filter		MF-C6A0
Safety Certifications		ETL (UL 1995)	



- Compatible with Samsung DVM S, DVM S Water, and DVM S Eco systems (AM*****AA).
- Electro-static, washable, pleated filters as standard (included with fascia panel)
- Built in condensate pump with maximum 29" lift from the bottom of the unit, check valve, and float switch that disables indoor unit during overflow detection
- Knock-out for outside air capability
- Fascia panel shall have LED indicator lights and 4 motorized louvers with independent control (32° - 65° louver control range)
- High-voltage terminal block temperature sensor to disable unit in the event overheating of power connection.
- Wind-Free™ function will close the supply air outlet louver while in cooling mode to gently disperse cool air into the space without blowing directly onto occupants. The Wind-Free™ feature is optional and can be enabled using central or local control options (MWR-SH11UN, MWR-WE13N, MWR-WE13UN, MWR-WG00*N, and AR-EH03U only).
- The Wind-Free™ 4-way cassette can be configured for 2-stage operation, cooling the space with the louver open (fixed or swing) until the room temperature nears set temperature. Once room temperature is near set temperature, Wind-Free™ operation will start automatically, closing the louver and using the face of the fascia panel to gently cool the space with still air*.
- The Wind-Free™ panel (PC4NUFMUN) has an integral humidity sensor that will open the louvers for standard cool mode when space conditions could potentially cause condensation formation on the panel surface.

Construction

Insulated, HIPS chassis with a galvanized steel frame and fascia panel certified to UL94 V0.

Heat Exchanger

The heat exchanger shall be mechanically bonded fin to copper tube

Indoor Fan

Indoor fan is a single turbo type

Three fan speed settings and auto setting

Controls

The unit shall be operated via a wireless or wired remote control with DDC type signal

The unit shall integrate with the Samsung NASA Controls Network Solution

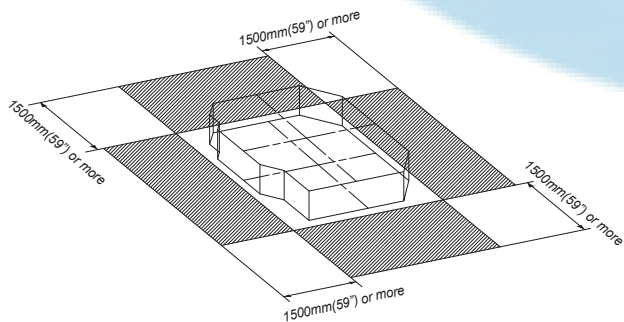
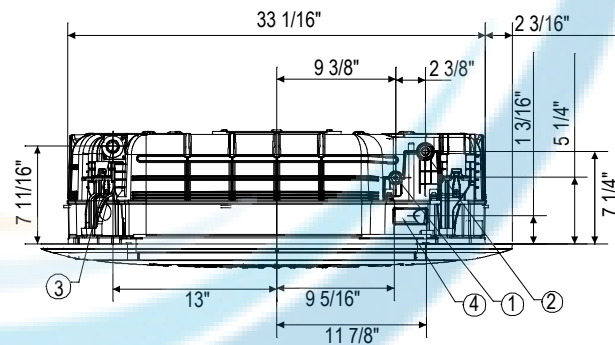
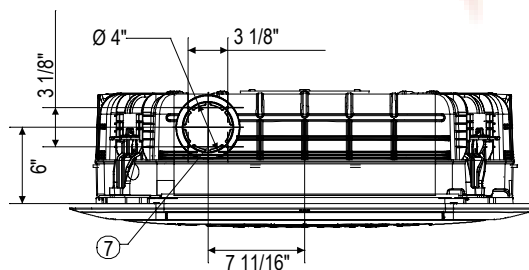
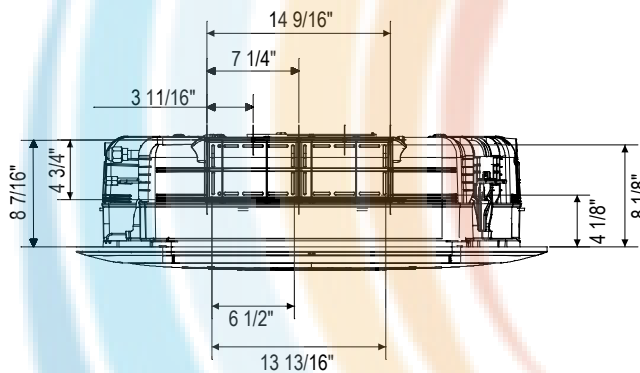
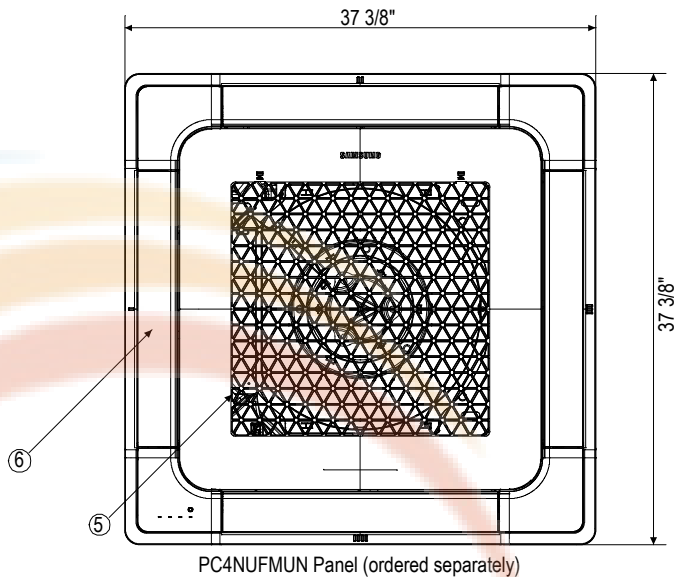
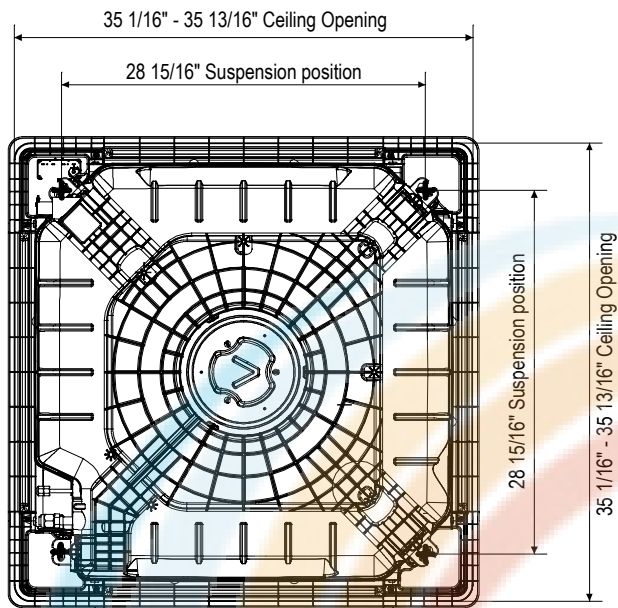
Control wiring shall be 2 X 16 AWG shielded wire

Samsung HVAC maintains a policy of ongoing development, specifications are subject to change without notice.

¹ Nominal cooling capacities are based on: Indoor temperature: 80 °F DB, 67°F WB. Outdoor temperature: 95°F DB, 75°F WB. Nominal heating capacities are based on: Indoor temperature: 70 °F DB, 60°F WB. Outdoor temperature: 47°F DB, 43°F WB.

² A fascia panel is required for unit operation and is sold separately. PC4NUFMUN is required to use Wind-Free™ functions.

*The Wind-Free™ unit delivers an air current that is under 0.15 m/s while in Wind-Free™ mode. Air velocity that is below 0.15 m/s is considered "still air" as defined by ASHRAE (American Society of Heating, Refrigerating, and Air-Conditioning Engineers).



No.	Name	Description
①	Liquid Pipe Connection	Ø 1/4" Flare
②	Gas Pipe Connection	Ø 1/2" Flare
③	Drain Pipe Connection	OD 1 1/4", ID 1"
④	Conduit for Power & Communication Wiring	-
⑤	Air Inlet Grille	-
⑥	Air Outlet Louver	-
⑦	Fresh Air Intake	Ø 4"

Proper clearance must be maintained around unit for proper operation.

Job Name _____
 Purchaser _____
 Submitted to _____
 Unit Designation _____

Location _____
 Engineer _____
 Reference _____ Approval _____ Construction _____
 Schedule # _____

Specifications

Performance ¹	Nominal Capacity	Cooling (Btu/h)	12,000
		Heating (Btu/h)	13,500
Power	Voltage (ø/V/Hz)		1 / 208-230 / 60
	Nominal Running Current (A)		0.25
	MCA		0.41
	MOP		15
Fan	Type		Turbo (1)
	Motor	Type	BLDC
		Output (W)	65
Airflow	CFM (UL)	H/M/L	547 / 494 / 424
Refrigerant	Type		R410A
	Control Method		Electronic Expansion Valve
Piping Connections	Liquid (flare)	Inches	1/4
	Suction (flare)	Inches	1/2
	Drain	Inches	VP25 (OD 1 1/4, ID 1)
Unit Dimensions	W X H X D	Inches	33 1/16 X 8 1/16 X 33 1/16
	Weight	lbs.	33.07
Fascia Panel (required) ²	Model Number (Wind-Free™)		PC4NUFMUN
	L X W X H	Inches	37 3/8 X 37 3/8 X 2 1/2
	Weight	lbs.	13.89
	Model Number (Standard)		PC4NUSKUN
	L X W X H	Inches	37 3/8 X 37 3/8 X 1 13/4
	Weight	lbs.	12.79
Sound Level	H / M / L	dB(A)	32 / 30 / 28
Accessories	Fascia Panel (Wind-Free™)		PC4NUFMUN
	Fascia Panel (Standard)		PC4NUSKUN
	External Contact Control		MIM-B14
	Motion Occupancy Sensor		MCR-SMC
	External Temperature Sensor		MRW-TA
	Wireless Remote Controller		AR-EH03U
	CN83 Pigtail (for 12VDC VENT output)		DB39-01263A
	MTFC - Multi-Tenant Function Controller		MCM-C210N
	MERV 13 Filter		MF-C6A0
Safety Certifications		ETL (UL 1995)	



- Compatible with Samsung DVM S, DVM S Water, and DVM S Eco systems (AM*****AA).
- Electro-static, washable, pleated filters as standard (included with fascia panel)
- Built in condensate pump with maximum 29" lift from the bottom of the unit, check valve, and float switch that disables indoor unit during overflow detection
- Knock-out for outside air capability
- Fascia panel shall have LED indicator lights and 4 motorized louvers with independent control (32° - 65° louver control range)
- High-voltage terminal block temperature sensor to disable unit in the event overheating of power connection.
- Wind-Free™ function will close the supply air outlet louver while in cooling mode to gently disperse cool air into the space without blowing directly onto occupants. The Wind-Free™ feature is optional and can be enabled using central or local control options (MWR-SH11UN, MWR-WE13N, MWR-WE13UN, MWR-WG00*N, and AR-EH03U only).
- The Wind-Free™ 4-way cassette can be configured for 2-stage operation, cooling the space with the louver open (fixed or swing) until the room temperature nears set temperature. Once room temperature is near set temperature, Wind-Free™ operation will start automatically, closing the louver and using the face of the fascia panel to gently cool the space with still air*.
- The Wind-Free™ panel (PC4NUFMUN) has an integral humidity sensor that will open the louvers for standard cool mode when space conditions could potentially cause condensation formation on the panel surface.

Construction

Insulated, HIPS chassis with a galvanized steel frame and fascia panel certified to UL94 V0.

Heat Exchanger

The heat exchanger shall be mechanically bonded fin to copper tube

Indoor Fan

Indoor fan is a single turbo type

Three fan speed settings and auto setting

Controls

The unit shall be operated via a wireless or wired remote control with DDC type signal

The unit shall integrate with the Samsung NASA Controls Network Solution

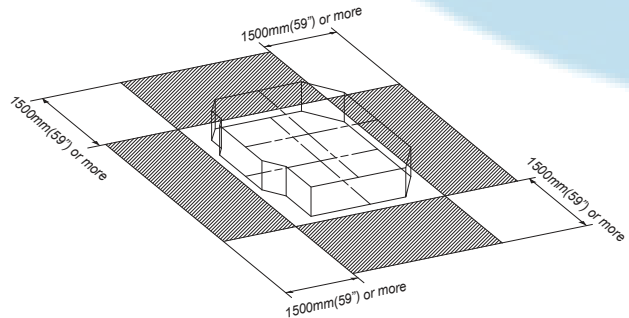
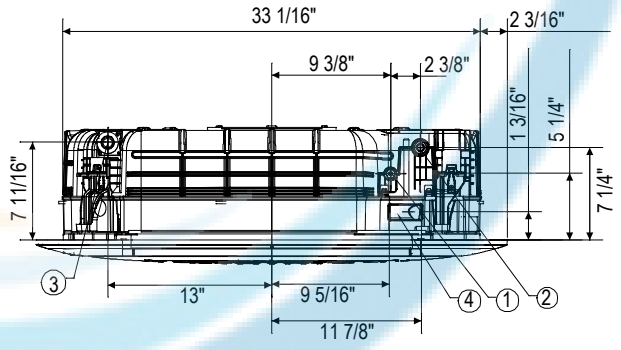
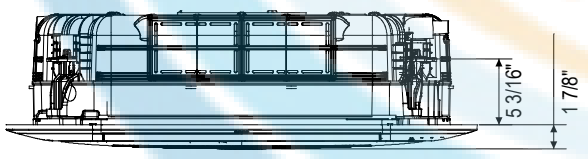
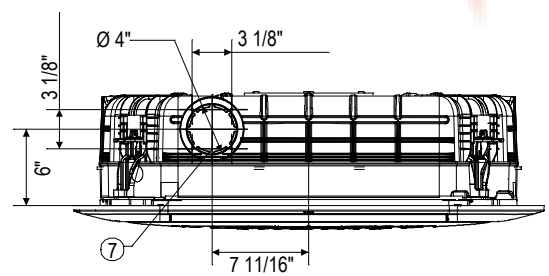
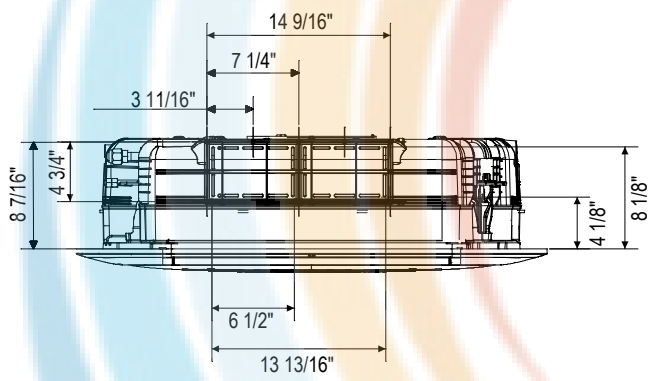
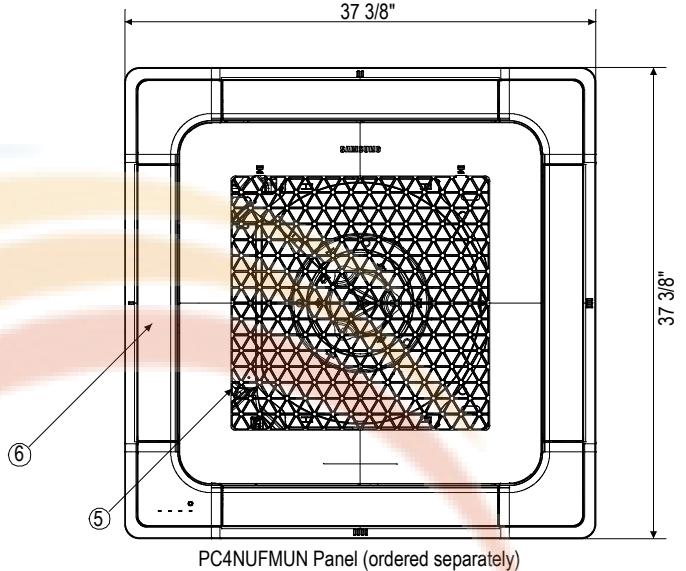
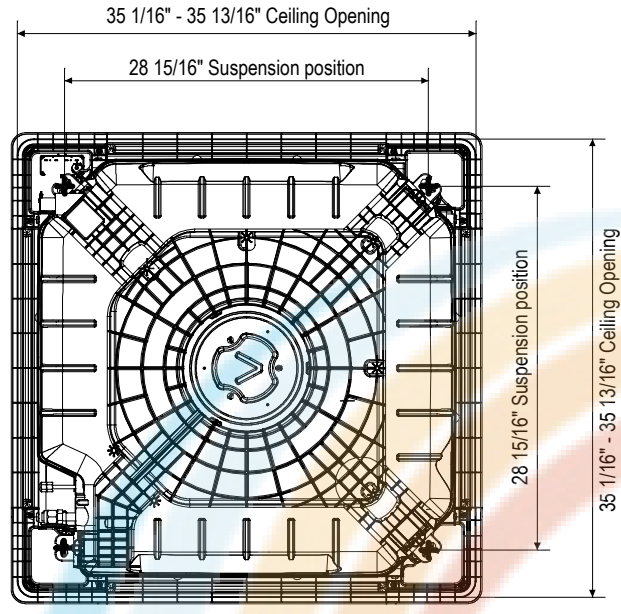
Control wiring shall be 2 X 16 AWG shielded wire

Samsung HVAC maintains a policy of ongoing development, specifications are subject to change without notice.

¹ Nominal cooling capacities are based on: Indoor temperature: 80 °F DB, 67°F WB. Outdoor temperature: 95°F DB, 75°F WB. Nominal heating capacities are based on: Indoor temperature: 70 °F DB, 60°F WB. Outdoor temperature: 47°F DB, 43°F WB.

² A fascia panel is required for unit operation and is sold separately. PC4NUFMUN is required to use Wind-Free™ functions.

*The Wind-Free™ unit delivers an air current that is under 0.15 m/s while in Wind-Free™ mode. Air velocity that is below 0.15 m/s is considered "still air" as defined by ASHRAE (American Society of Heating, Refrigerating, and Air-Conditioning Engineers).



No.	Name	Description
①	Liquid Pipe Connection	Ø 1/4" Flare
②	Gas Pipe Connection	Ø 1/2" Flare
③	Drain Pipe Connection	OD 1 1/4", ID 1"
④	Conduit for Power & Communication Wiring	-
⑤	Air Inlet Grille	-
⑥	Air Outlet Louver	-
⑦	Fresh Air Intake	Ø 4 "

Proper clearance must be maintained around unit for proper operation.

Job Name _____
 Purchaser _____
 Submitted to _____
 Unit Designation _____

Location _____
 Engineer _____
 Reference _____ Approval _____ Construction _____
 Schedule # _____

Specifications

Performance ¹	Nominal Capacity	Cooling (Btu/h)	18,000
		Heating (Btu/h)	20,000
Power	Voltage (ø/V/Hz)	1 / 208-230 / 60	
	Nominal Running Current (A)	0.25	
	MCA	0.41	
	MOP	15	
Fan	Type	Turbo (1)	
	Motor	Type	BLDC
		Output (W)	65
Airflow	CFM (UL)	H/M/L	547 / 494 / 424
Refrigerant	Type	R410A	
	Control Method	Electronic Expansion Valve	
Piping Connections	Liquid (flare)	Inches	1/4
	Suction (flare)	Inches	1/2
	Drain	Inches	VP25 (OD 1 1/4, ID 1)
Unit Dimensions	W X H X D	Inches	33 1/16 X 8 1/16 X 33 1/16
	Weight	lbs.	33.07
Fascia Panel (required) ²	Model Number (Wind-Free™)		PC4NUFMUN
	L X W X H	Inches	37 3/8 X 37 3/8 X 2 1/2
	Weight	lbs.	13.89
	Model Number (Standard)		PC4NUSKUN
	L X W X H	Inches	37 3/8 X 37 3/8 X 1 13/4
	Weight	lbs.	12.79
Sound Level	H / M / L	dB(A)	32 / 30 / 28
Accessories	Fascia Panel (Wind-Free™)		PC4NUFMUN
	Fascia Panel (Standard)		PC4NUSKUN
	External Contact Control		MIM-B14
	Motion Occupancy Sensor		MCR-SMC
	External Temperature Sensor		MRW-TA
	Wireless Remote Controller		AR-EH03U
	CN83 Pigtail (for 12VDC VENT output)		DB39-01263A
	MTFC - Multi-Tenant Function Controller		MCM-C210N
	MERV 13 Filter		MF-C6A0
Safety Certifications		ETL (UL 1995)	



- Compatible with Samsung DVM S, DVM S Water, and DVM S Eco systems (AM*****AA).
- Electro-static, washable, pleated filters as standard (included with fascia panel)
- Built in condensate pump with maximum 29" lift from the bottom of the unit, check valve, and float switch that disables indoor unit during overflow detection
- Knock-out for outside air capability
- Fascia panel shall have LED indicator lights and 4 motorized louvers with independent control (32° - 65° louver control range)
- High-voltage terminal block temperature sensor to disable unit in the event overheating of power connection.
- Wind-Free™ function will close the supply air outlet louver while in cooling mode to gently disperse cool air into the space without blowing directly onto occupants. The Wind-Free™ feature is optional and can be enabled using central or local control options (MWR-SH11UN, MWR-WE13N, MWR-WE13UN, MWR-WG00*N, and AR-EH03U only).
- The Wind-Free™ 4-way cassette can be configured for 2-stage operation, cooling the space with the louver open (fixed or swing) until the room temperature nears set temperature. Once room temperature is near set temperature, Wind-Free™ operation will start automatically, closing the louver and using the face of the fascia panel to gently cool the space with still air*.
- The Wind-Free™ panel (PC4NUFMUN) has an integral humidity sensor that will open the louvers for standard cool mode when space conditions could potentially cause condensation formation on the panel surface.

Construction

Insulated, HIPS chassis with a galvanized steel frame and fascia panel certified to UL94 V0.

Heat Exchanger

The heat exchanger shall be mechanically bonded fin to copper tube

Indoor Fan

Indoor fan is a single turbo type

Three fan speed settings and auto setting

Controls

The unit shall be operated via a wireless or wired remote control with DDC type signal

The unit shall integrate with the Samsung NASA Controls Network Solution

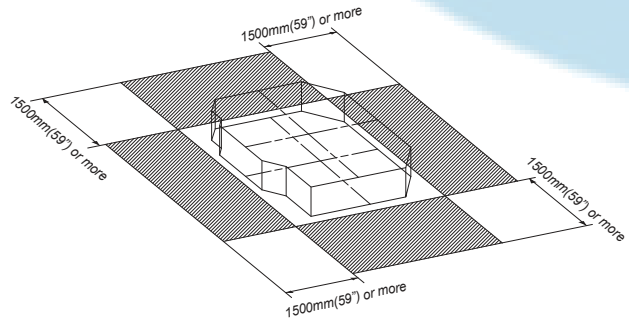
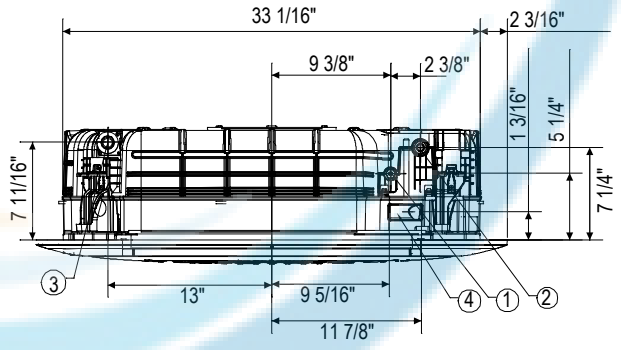
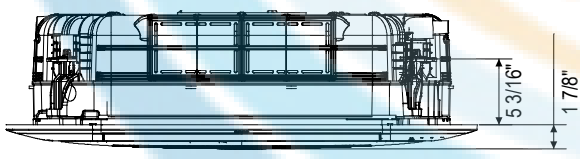
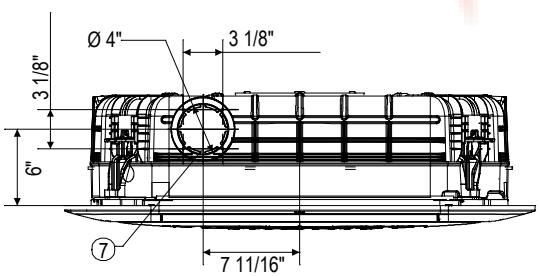
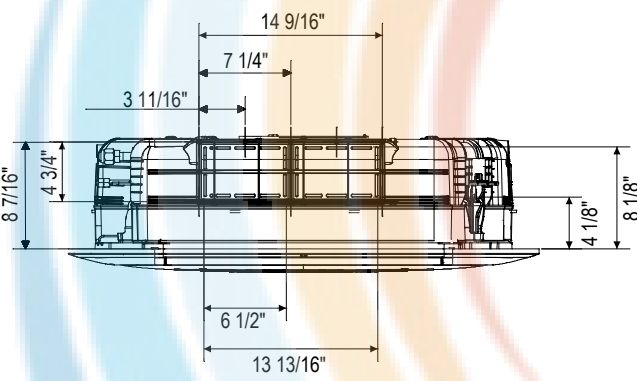
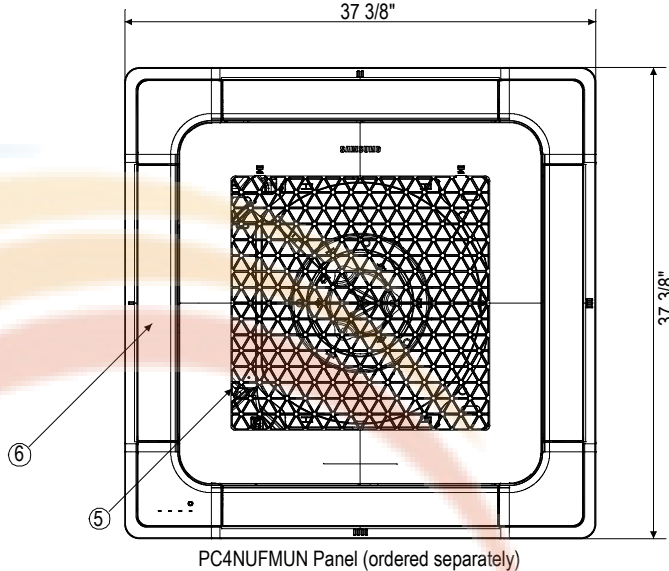
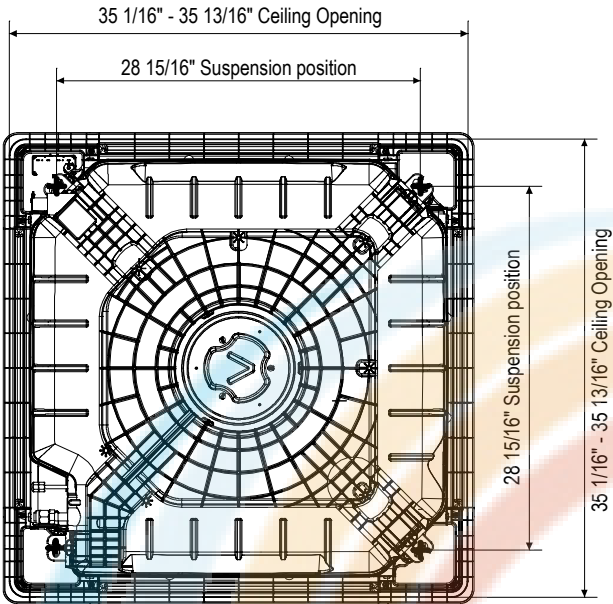
Control wiring shall be 2 X 16 AWG shielded wire

Samsung HVAC maintains a policy of ongoing development, specifications are subject to change without notice.

¹ Nominal cooling capacities are based on: Indoor temperature: 80 °F DB, 67°F WB. Outdoor temperature: 95°F DB, 75°F WB. Nominal heating capacities are based on: Indoor temperature: 70 °F DB, 60°F WB. Outdoor temperature: 47°F DB, 43°F WB.

² A fascia panel is required for unit operation and is sold separately. PC4NUFMUN is required to use Wind-Free™ functions.

*The Wind-Free™ unit delivers an air current that is under 0.15 m/s while in Wind-Free™ mode. Air velocity that is below 0.15 m/s is considered "still air" as defined by ASHRAE (American Society of Heating, Refrigerating, and Air-Conditioning Engineers).



No.	Name	Description
①	Liquid Pipe Connection	Ø 1/4" Flare
②	Gas Pipe Connection	Ø 1/2" Flare
③	Drain Pipe Connection	OD 1 1/4", ID 1"
④	Conduit for Power & Communication Wiring	-
⑤	Air Inlet Grille	-
⑥	Air Outlet Louver	-
⑦	Fresh Air Intake	Ø 4 "

Proper clearance must be maintained around unit for proper operation.

Job Name _____
 Purchaser _____
 Submitted to _____
 Unit Designation _____

Location _____
 Engineer _____
 Reference _____ Approval _____ Construction _____
 Schedule # _____

Specifications

Performance ¹	Nominal Capacity	Cooling (Btu/h)	24,000
		Heating (Btu/h)	27,000
Power	Voltage (ø/V/Hz)		1 / 208-230 / 60
	Nominal Running Current (A)		0.30
	MCA		0.41
	MOP		15
Fan	Type		Turbo (1)
	Motor	Type	BLDC
		Output (W)	65
Airflow	CFM (UL)	H/M/L	618 / 565 / 494
Refrigerant	Type		R410A
	Control Method		Electronic Expansion Valve
Piping Connections	Liquid (flare)	Inches	3/8
	Suction (flare)	Inches	5/8
	Drain	Inches	VP25 (OD 1 1/4, ID 1)
Unit Dimensions	W X H X D	Inches	33 1/16 X 8 1/16 X 33 1/16
	Weight	lbs.	33.07
Fascia Panel (required) ²	Model Number (Wind-Free™)		PC4NUFMUN
	L X W X H	Inches	37 3/8 X 37 3/8 X 2 1/2
	Weight	lbs.	13.89
	Model Number (Standard)		PC4NUSKUN
	L X W X H	Inches	37 3/8 X 37 3/8 X 1 3/4
	Weight	lbs.	12.79
Sound Level	H / M / L	dB(A)	35 / 32 / 28
Accessories	Fascia Panel (Wind-Free™)		PC4NUFMUN
	Fascia Panel (Standard)		PC4NUSKUN
	External Contact Control		MIM-B14
	Motion Occupancy Sensor		MCR-SMC
	External Temperature Sensor		MRW-TA
	Wireless Remote Controller		AR-EH03U
	CN83 Pigtail (for 12VDC VENT output)		DB39-01263A
	MTFC - Multi-Tenant Function Controller		MCM-C210N
	MERV 13 Filter		MF-C6A0
Safety Certifications		ETL (UL 1995)	



- Compatible with Samsung DVM S, DVM S Water, and DVM S Eco systems (AM*****AA).
- Electro-static, washable, pleated filters as standard (included with fascia panel)
- Built in condensate pump with maximum 29" lift from the bottom of the unit, check valve, and float switch that disables indoor unit during overflow detection
- Knock-out for outside air capability
- Fascia panel shall have LED indicator lights and 4 motorized louvers with independent control (32° - 65° louver control range)
- High-voltage terminal block temperature sensor to disable unit in the event overheating of power connection.
- Wind-Free™ function will close the supply air outlet louver while in cooling mode to gently disperse cool air into the space without blowing directly onto occupants. The Wind-Free™ feature is optional and can be enabled using central or local control options (MWR-SH11UN, MWR-WE13N, MWR-WE13UN, MWR-WG00*N, and AR-EH03U only).
- The Wind-Free™ 4-way cassette can be configured for 2-stage operation, cooling the space with the louver open (fixed or swing) until the room temperature nears set temperature. Once room temperature is near set temperature, Wind-Free™ operation will start automatically, closing the louver and using the face of the fascia panel to gently cool the space with still air*.
- The Wind-Free™ panel (PC4NUFMUN) has an integral humidity sensor that will open the louvers for standard cool mode when space conditions could potentially cause condensation formation on the panel surface.

Construction

Insulated, HIPS chassis with a galvanized steel frame and fascia panel certified to UL94 V0.

Heat Exchanger

The heat exchanger shall be mechanically bonded fin to copper tube

Indoor Fan

Indoor fan is a single turbo type

Three fan speed settings and auto setting

Controls

The unit shall be operated via a wireless or wired remote control with DDC type signal

The unit shall integrate with the Samsung NASA Controls Network Solution

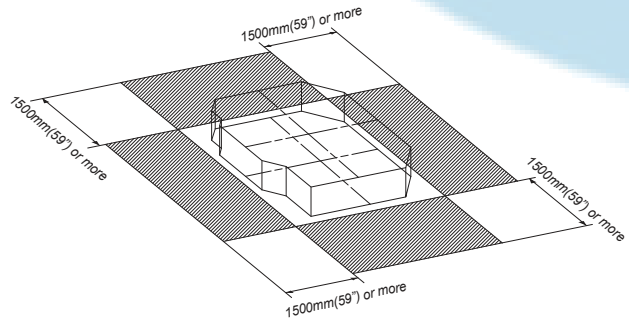
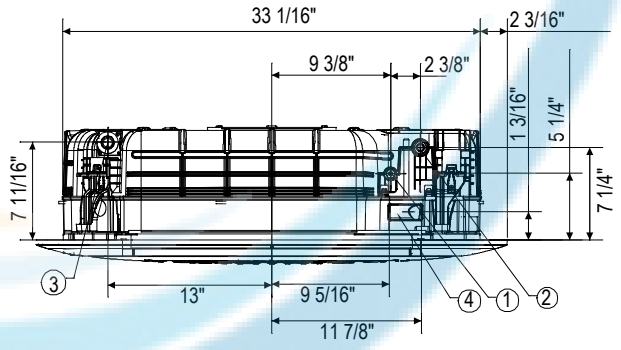
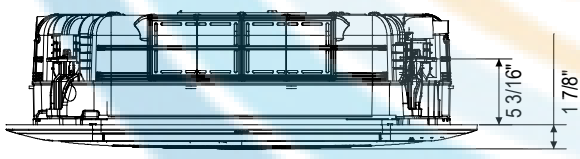
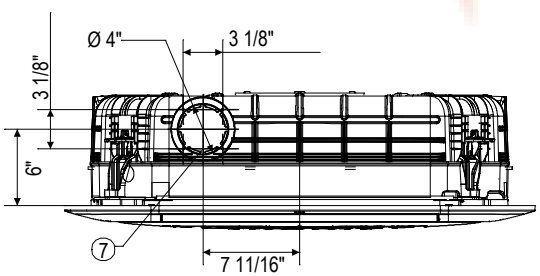
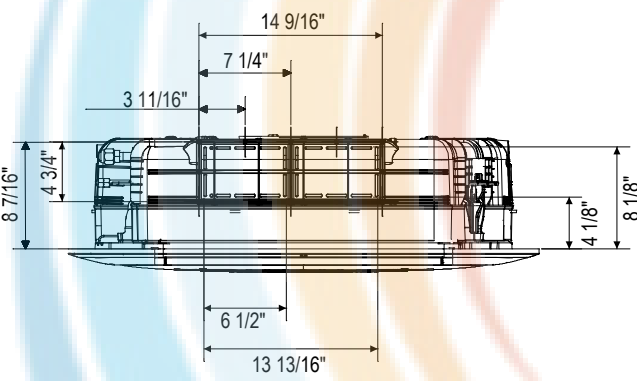
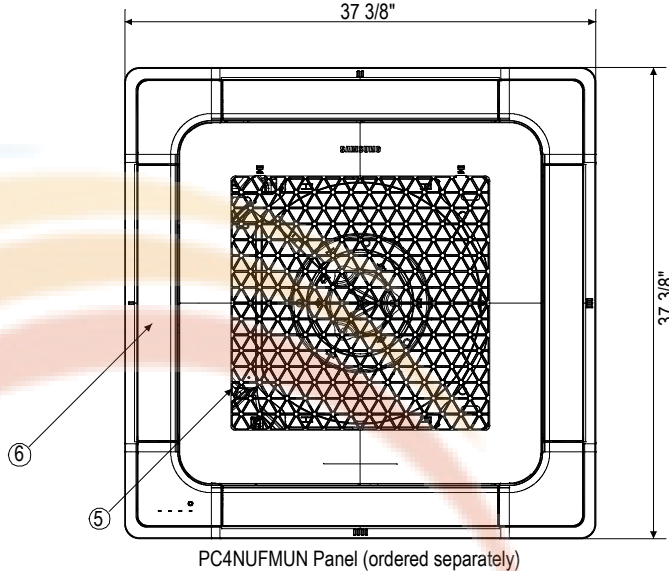
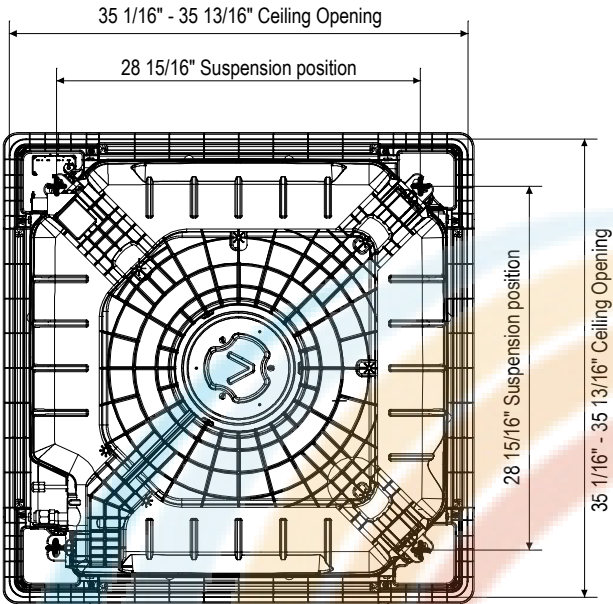
Control wiring shall be 2 X 16 AWG shielded wire

Samsung HVAC maintains a policy of ongoing development, specifications are subject to change without notice.

¹ Nominal cooling capacities are based on: Indoor temperature: 80 °F DB, 67°F WB. Outdoor temperature: 95°F DB, 75°F WB. Nominal heating capacities are based on: Indoor temperature: 70 °F DB, 60°F WB. Outdoor temperature: 47°F DB, 43°F WB.

² A fascia panel is required for unit operation and is sold separately. PC4NUFMUN is required to use Wind-Free™ functions.

*The Wind-Free™ unit delivers an air current that is under 0.15 m/s while in Wind-Free™ mode. Air velocity that is below 0.15 m/s is considered "still air" as defined by ASHRAE (American Society of Heating, Refrigerating, and Air-Conditioning Engineers).



No.	Name	Description
①	Liquid Pipe Connection	Ø 3/8" Flare
②	Gas Pipe Connection	Ø 5/8" Flare
③	Drain Pipe Connection	OD 1 1/4", ID 1"
④	Conduit for Power & Communication Wiring	-
⑤	Air Inlet Grille	-
⑥	Air Outlet Louver	-
⑦	Fresh Air Intake	Ø 4"

Proper clearance must be maintained around unit for proper operation.

Job Name _____
 Purchaser _____
 Submitted to _____
 Unit Designation _____

Location _____
 Engineer _____
 Reference _____ Approval _____ Construction _____
 Schedule # _____

Specifications

Performance ¹	Nominal Capacity	Cooling (Btu/h)	30,000
		Heating (Btu/h)	34,000
Power	Voltage (ø/V/Hz)		1 / 208-230 / 60
	Nominal Running Current (A)		0.50
	MCA		0.49
	MOP		15
Fan	Type		Turbo (1)
	Motor	Type	BLDC
		Output (W)	97
Airflow	CFM (UL)	H/M/L	777 / 687 / 600
Refrigerant	Type		R410A
	Control Method		Electronic Expansion Valve
Piping Connections	Liquid (flare)	Inches	3/8
	Suction (flare)	Inches	5/8
	Drain	Inches	VP25 (OD 1 1/4, ID 1)
Unit Dimensions	W X H X D	Inches	33 1/16 X 11 3/8 X 33 1/16
	Weight	lbs.	36.38
Fascia Panel (required) ²	Model Number (Wind-Free™)		PC4NUFMUN
	L X W X H	Inches	37 3/8 X 37 3/8 X 2 1/2
	Weight	lbs.	13.89
	Model Number (Standard)		PC4NUSKUN
	L X W X H	Inches	37 3/8 X 37 3/8 X 1 13/4
	Weight	lbs.	12.79
Sound Level	H / M / L	dB(A)	41 / 37 / 31
Accessories	Fascia Panel (Wind-Free™)		PC4NUFMUN
	Fascia Panel (Standard)		PC4NUSKUN
	External Contact Control		MIM-B14
	Motion Occupancy Sensor		MCR-SMC
	External Temperature Sensor		MRW-TA
	Wireless Remote Controller		AR-EH03U
	CN83 Pigtail (for 12VDC VENT output)		DB39-01263A
	MTFC - Multi-Tenant Function Controller		MCM-C210N
	MERV 13 Filter		MF-C6A0
Safety Certifications		ETL (UL 1995)	



- Compatible with Samsung DVM S, DVM S Water, and DVM S Eco systems (AM*****AA).
- Electro-static, washable, pleated filters as standard (included with fascia panel)
- Built in condensate pump with maximum 29" lift from the bottom of the unit, check valve, and float switch that disables indoor unit during overflow detection
- Knock-out for outside air capability
- Fascia panel shall have LED indicator lights and 4 motorized louvers with independent control (32° - 65° louver control range)
- High-voltage terminal block temperature sensor to disable unit in the event overheating of power connection.
- Wind-Free™ function will close the supply air outlet louver while in cooling mode to gently disperse cool air into the space without blowing directly onto occupants. The Wind-Free™ feature is optional and can be enabled using central or local control options (MWR-SH11UN, MWR-WE13N, MWR-WE13UN, MWR-WG00*N, and AR-EH03U only).
- The Wind-Free™ 4-way cassette can be configured for 2-stage operation, cooling the space with the louver open (fixed or swing) until the room temperature nears set temperature. Once room temperature is near set temperature, Wind-Free™ operation will start automatically, closing the louver and using the face of the fascia panel to gently cool the space with still air*.
- The Wind-Free™ panel (PC4NUFMUN) has an integral humidity sensor that will open the louvers for standard cool mode when space conditions could potentially cause condensation formation on the panel surface.

Construction

Insulated, HIPS chassis with a galvanized steel frame and fascia panel certified to UL94 V0.

Heat Exchanger

The heat exchanger shall be mechanically bonded fin to copper tube

Indoor Fan

Indoor fan is a single turbo type

Three fan speed settings and auto setting

Controls

The unit shall be operated via a wireless or wired remote control with DDC type signal

The unit shall integrate with the Samsung NASA Controls Network Solution

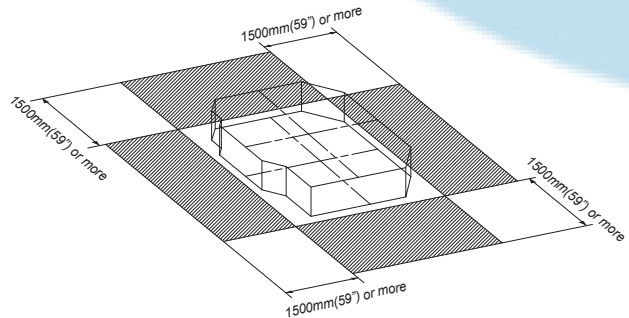
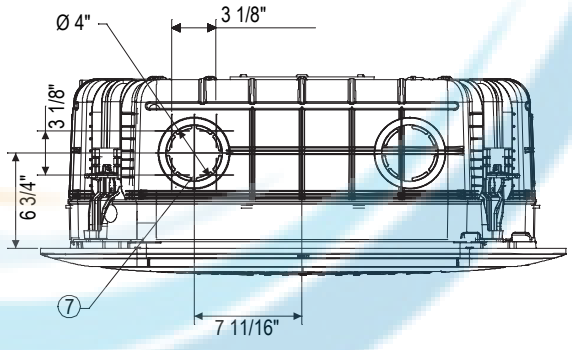
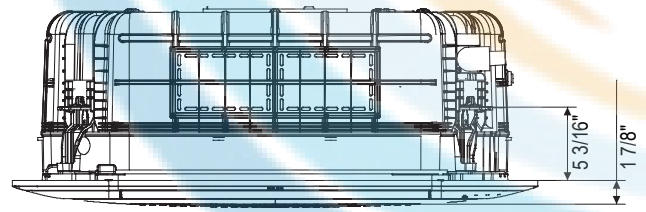
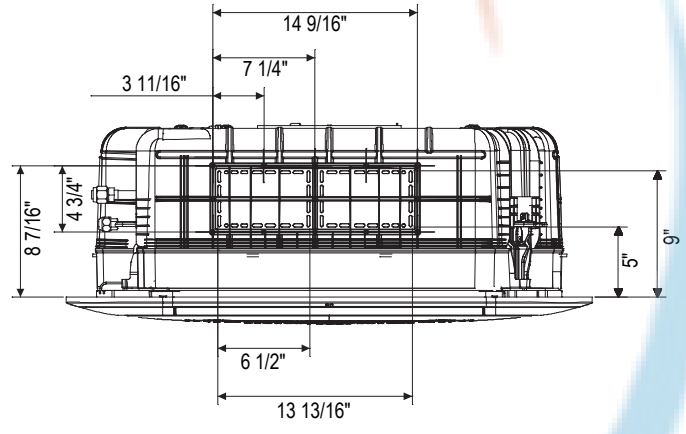
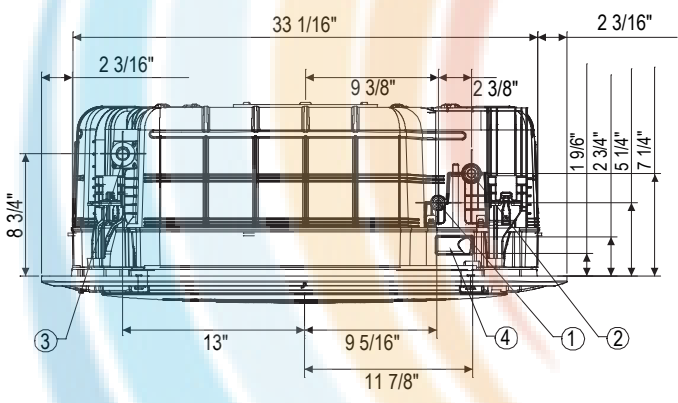
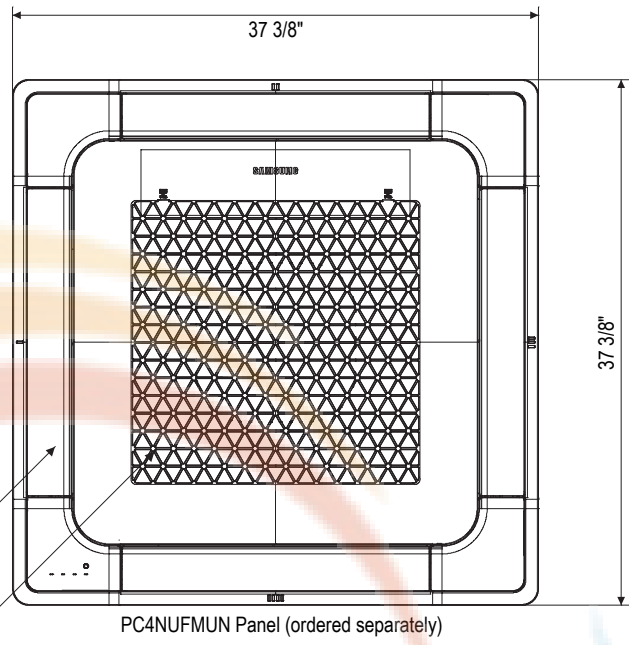
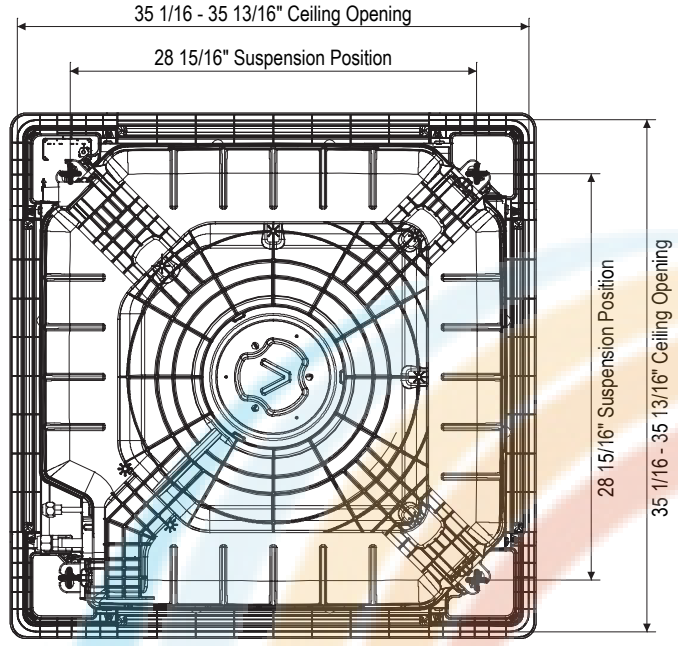
Control wiring shall be 2 X 16 AWG shielded wire

Samsung HVAC maintains a policy of ongoing development, specifications are subject to change without notice.

¹ Nominal cooling capacities are based on: Indoor temperature: 80 °F DB, 67°F WB. Outdoor temperature: 95°F DB, 75°F WB. Nominal heating capacities are based on: Indoor temperature: 70 °F DB, 60°F WB. Outdoor temperature: 47°F DB, 43°F WB.

² A fascia panel is required for unit operation and is sold separately. PC4NUFMUN is required to use Wind-Free™ functions.

*The Wind-Free™ unit delivers an air current that is under 0.15 m/s while in Wind-Free™ mode. Air velocity that is below 0.15 m/s is considered "still air" as defined by ASHRAE (American Society of Heating, Refrigerating, and Air-Conditioning Engineers).



No.	Name	Description
①	Liquid Pipe Connection	Ø 3/8" Flare
②	Gas Pipe Connection	Ø 5/8" Flare
③	Drain Pipe Connection	OD 1 1/4", ID 1"
④	Conduit for Power & Communication Wiring	-
⑤	Air Inlet Grille	-
⑥	Air Outlet Louver	-
⑦	Fresh Air Intake	Ø 4"

Proper clearance must be maintained around unit for proper operation.

Job Name _____
 Purchaser _____
 Submitted to _____
 Unit Designation _____

Location _____
 Engineer _____
 Reference _____ Approval _____ Construction _____
 Schedule # _____

Specifications

Performance ¹	Nominal Capacity	Cooling (Btu/h)	36,000
		Heating (Btu/h)	40,000
Power	Voltage (ø/V/Hz)		1 / 208-230 / 60
	Nominal Running Current (A)		0.56
	MCA		0.49
	MOP		15
Fan	Type		Turbo (1)
	Motor	Type	BLDC
		Output (W)	97
Airflow	CFM (UL)	H/M/L	845 / 777 / 706
Refrigerant	Type		R410A
	Control Method		Electronic Expansion Valve
Piping Connections	Liquid (flare)	Inches	3/8
	Suction (flare)	Inches	5/8
	Drain	Inches	VP25 (OD 1 1/4, ID 1)
Unit Dimensions	W X H X D	Inches	33 1/16 X 11 3/8 X 33 1/16
	Weight	lbs.	40.79
Fascia Panel (required) ²	Model Number (Wind-Free™)		PC4NUFMUN
	L X W X H	Inches	37 3/8 X 37 3/8 X 2 1/2
	Weight	lbs.	13.89
	Model Number (Standard)		PC4NUSKUN
	L X W X H	Inches	37 3/8 X 37 3/8 X 1 13/4
	Weight	lbs.	12.79
Sound Level	H / M / L	dB(A)	42 / 39 / 36
Accessories	Fascia Panel (Wind-Free™)		PC4NUFMUN
	Fascia Panel (Standard)		PC4NUSKUN
	External Contact Control		MIM-B14
	Motion Occupancy Sensor		MCR-SMC
	External Temperature Sensor		MRW-TA
	Wireless Remote Controller		AR-EH03U
	CN83 Pigtail (for 12VDC VENT output)		DB39-01263A
	MTFC - Multi-Tenant Function Controller		MCM-C210N
	MERV 13 Filter		MF-C6A0
Safety Certifications		ETL (UL 1995)	



- Compatible with Samsung DVM S, DVM S Water, and DVM S Eco systems (AM*****AA).
- Electro-static, washable, pleated filters as standard (included with fascia panel)
- Built in condensate pump with maximum 29" lift from the bottom of the unit, check valve, and float switch that disables indoor unit during overflow detection
- Knock-out for outside air capability
- Fascia panel shall have LED indicator lights and 4 motorized louvers with independent control (32° - 65° louver control range)
- High-voltage terminal block temperature sensor to disable unit in the event overheating of power connection.
- Wind-Free™ function will close the supply air outlet louver while in cooling mode to gently disperse cool air into the space without blowing directly onto occupants. The Wind-Free™ feature is optional and can be enabled using central or local control options (MWR-SH11UN, MWR-WE13N, MWR-WE13UN, MWR-WG00*N, and AR-EH03U only).
- The Wind-Free™ 4-way cassette can be configured for 2-stage operation, cooling the space with the louver open (fixed or swing) until the room temperature nears set temperature. Once room temperature is near set temperature, Wind-Free™ operation will start automatically, closing the louver and using the face of the fascia panel to gently cool the space with still air*.
- The Wind-Free™ panel (PC4NUFMUN) has an integral humidity sensor that will open the louvers for standard cool mode when space conditions could potentially cause condensation formation on the panel surface.

Construction

Insulated, HIPS chassis with a galvanized steel frame and fascia panel certified to UL94 V0.

Heat Exchanger

The heat exchanger shall be mechanically bonded fin to copper tube

Indoor Fan

Indoor fan is a single turbo type

Three fan speed settings and auto setting

Controls

The unit shall be operated via a wireless or wired remote control with DDC type signal

The unit shall integrate with the Samsung NASA Controls Network Solution

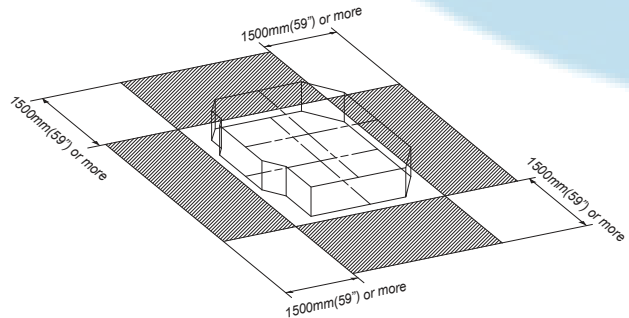
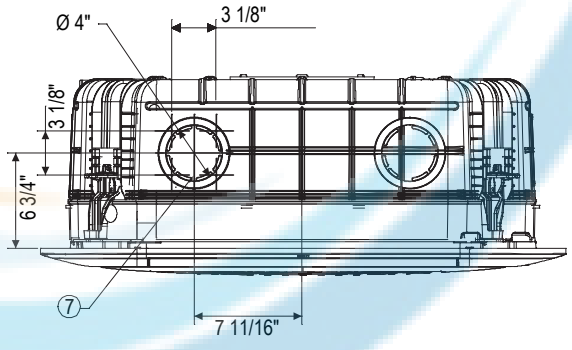
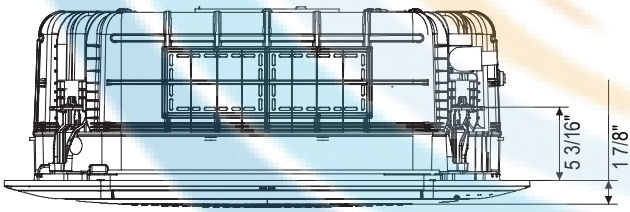
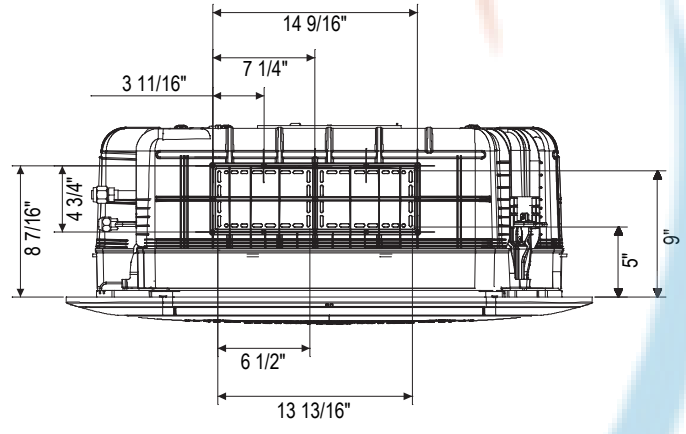
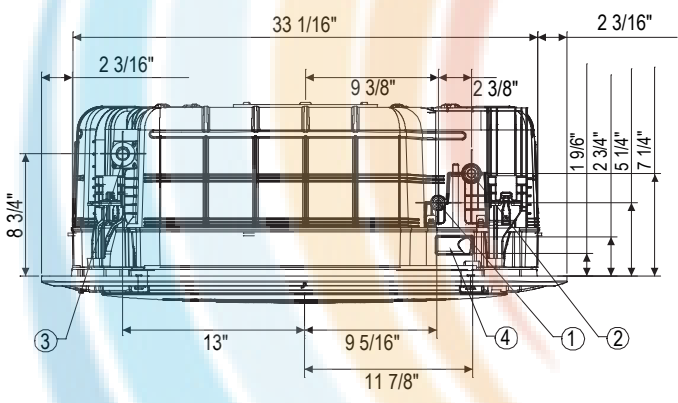
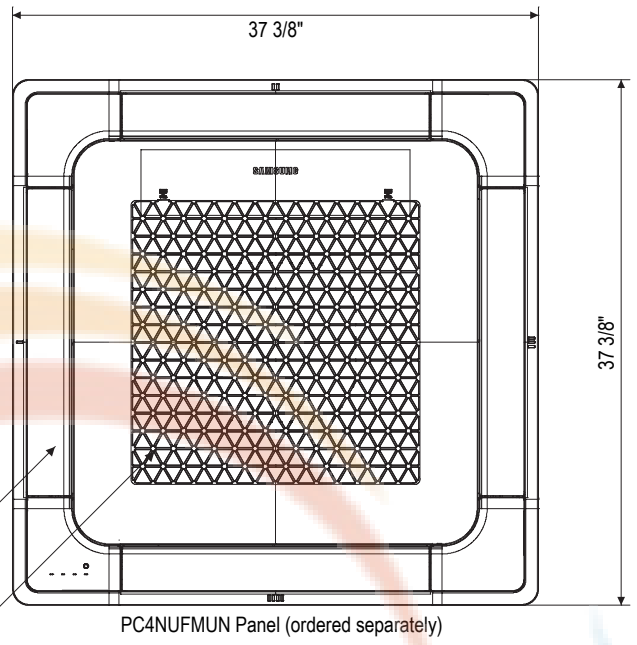
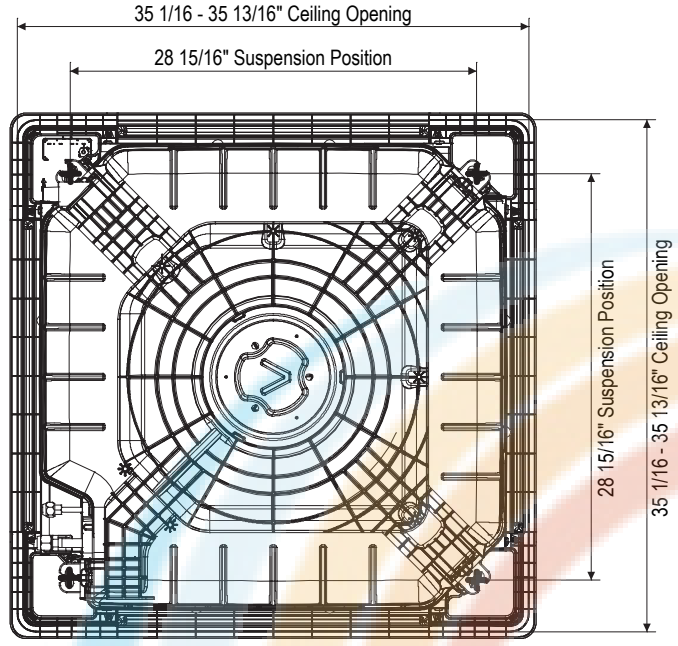
Control wiring shall be 2 X 16 AWG shielded wire

Samsung HVAC maintains a policy of ongoing development, specifications are subject to change without notice.

¹ Nominal cooling capacities are based on: Indoor temperature: 80 °F DB, 67°F WB. Outdoor temperature: 95°F DB, 75°F WB. Nominal heating capacities are based on: Indoor temperature: 70 °F DB, 60°F WB. Outdoor temperature: 47°F DB, 43°F WB.

² A fascia panel is required for unit operation and is sold separately. PC4NUFMUN is required to use Wind-Free™ functions.

*The Wind-Free™ unit delivers an air current that is under 0.15 m/s while in Wind-Free™ mode. Air velocity that is below 0.15 m/s is considered "still air" as defined by ASHRAE (American Society of Heating, Refrigerating, and Air-Conditioning Engineers).



No.	Name	Description
①	Liquid Pipe Connection	Ø 3/8" Flare
②	Gas Pipe Connection	Ø 5/8" Flare
③	Drain Pipe Connection	OD 1 1/4", ID 1"
④	Conduit for Power & Communication Wiring	-
⑤	Air Inlet Grille	-
⑥	Air Outlet Louver	-
⑦	Fresh Air Intake	Ø 4"

Proper clearance must be maintained around unit for proper operation.

Job Name _____
 Purchaser _____
 Submitted to _____
 Unit Designation _____

Location _____
 Engineer _____
 Reference _____ Approval _____ Construction _____
 Schedule # _____

Specifications

Performance ¹	Nominal Capacity	Cooling (Btu/h)	48,000
		Heating (Btu/h)	54,000
Power	Voltage (ø/V/Hz)		1 / 208-230 / 60
	Nominal Running Current (A)		0.75
	MCA		0.49
	MOP		15
Fan	Type		Turbo (1)
	Motor	Type	BLDC
		Output (W)	97
Airflow	CFM (UL)	H/M/L	1024 / 953 / 845
Refrigerant	Type		R410A
	Control Method		Electronic Expansion Valve
Piping Connections	Liquid (flare)	Inches	3/8
	Suction (flare)	Inches	5/8
	Drain	Inches	VP25 (OD 1 1/4, ID 1)
Unit Dimensions	W X H X D	Inches	33 1/16 X 11 3/8 X 33 1/16
	Weight	lbs.	40.79
Fascia Panel (required) ²	Model Number (Wind-Free™)		PC4NUFMUN
	L X W X H	Inches	37 3/8 X 37 3/8 X 2 1/2
	Weight	lbs.	13.89
	Model Number (Standard)		PC4NUSKUN
	L X W X H	Inches	37 3/8 X 37 3/8 X 1 13/4
	Weight	lbs.	12.79
Sound Level	H / M / L	dB(A)	45 / 42 / 39
Accessories	Fascia Panel (Wind-Free™)		PC4NUFMUN
	Fascia Panel (Standard)		PC4NUSKUN
	External Contact Control		MIM-B14
	Motion Occupancy Sensor		MCR-SMC
	External Temperature Sensor		MRW-TA
	Wireless Remote Controller		AR-EH03U
	CN83 Pigtail (for 12VDC VENT output)		DB39-01263A
	MTFC - Multi-Tenant Function Controller		MCM-C210N
	MERV 13 Filter		MF-C6A0
Safety Certifications		ETL (UL 1995)	



- Compatible with Samsung DVM S, DVM S Water, and DVM S Eco systems (AM*****AA).
- Electro-static, washable, pleated filters as standard (included with fascia panel)
- Built in condensate pump with maximum 29" lift from the bottom of the unit, check valve, and float switch that disables indoor unit during overflow detection
- Knock-out for outside air capability
- Fascia panel shall have LED indicator lights and 4 motorized louvers with independent control (32° - 65° louver control range)
- High-voltage terminal block temperature sensor to disable unit in the event overheating of power connection.
- Wind-Free™ function will close the supply air outlet louver while in cooling mode to gently disperse cool air into the space without blowing directly onto occupants. The Wind-Free™ feature is optional and can be enabled using central or local control options (MWR-SH11UN, MWR-WE13N, MWR-WE13UN, MWR-WG00*N, and AR-EH03U only).
- The Wind-Free™ 4-way cassette can be configured for 2-stage operation, cooling the space with the louver open (fixed or swing) until the room temperature nears set temperature. Once room temperature is near set temperature, Wind-Free™ operation will start automatically, closing the louver and using the face of the fascia panel to gently cool the space with still air*.
- The Wind-Free™ panel (PC4NUFMUN) has an integral humidity sensor that will open the louvers for standard cool mode when space conditions could potentially cause condensation formation on the panel surface.

Construction

Insulated, HIPS chassis with a galvanized steel frame and fascia panel certified to UL94 V0.

Heat Exchanger

The heat exchanger shall be mechanically bonded fin to copper tube

Indoor Fan

Indoor fan is a single turbo type

Three fan speed settings and auto setting

Controls

The unit shall be operated via a wireless or wired remote control with DDC type signal

The unit shall integrate with the Samsung NASA Controls Network Solution

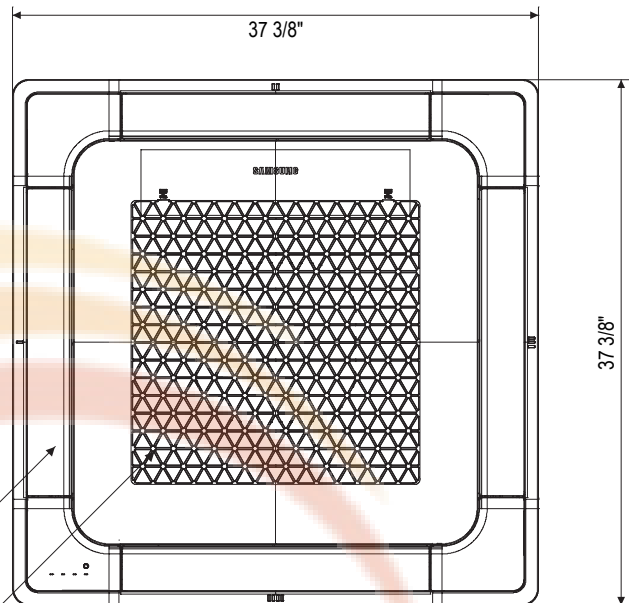
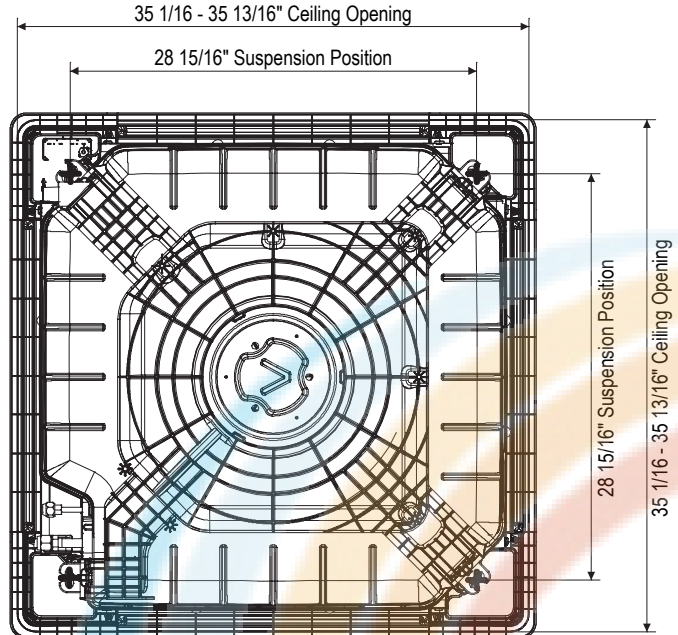
Control wiring shall be 2 X 16 AWG shielded wire

Samsung HVAC maintains a policy of ongoing development, specifications are subject to change without notice.

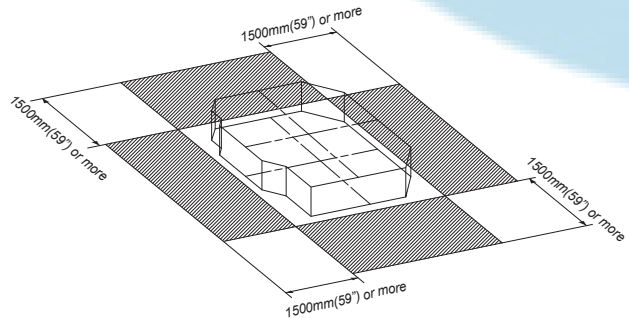
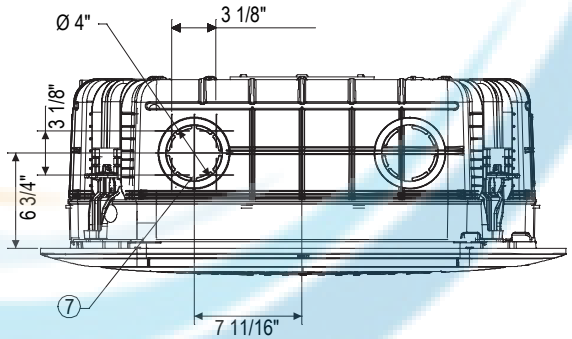
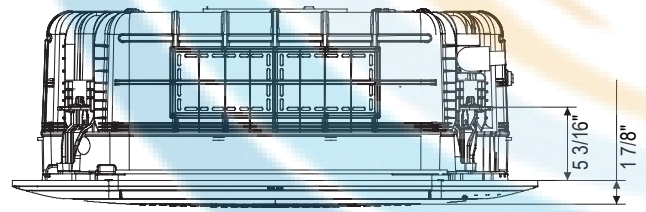
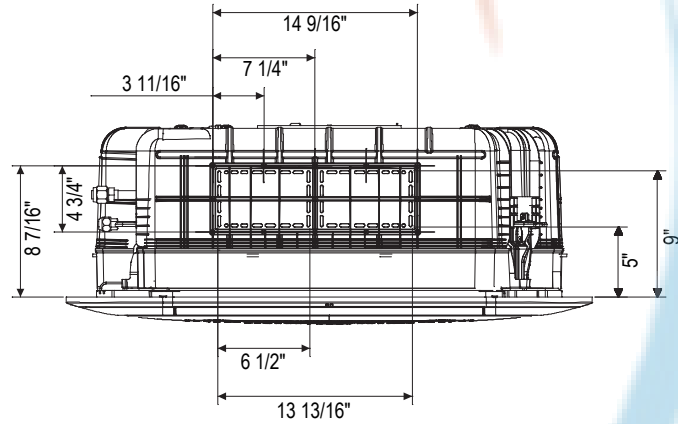
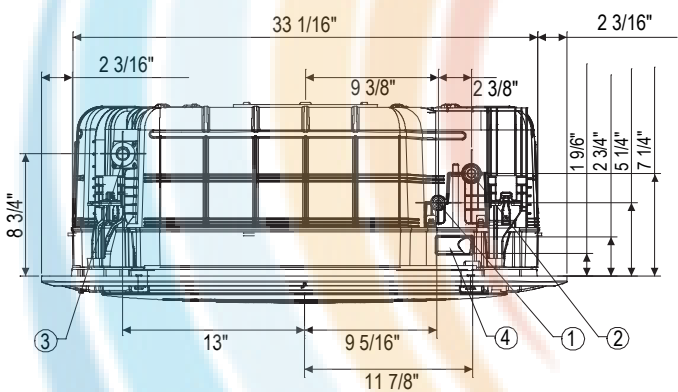
¹ Nominal cooling capacities are based on: Indoor temperature: 80 °F DB, 67°F WB. Outdoor temperature: 95°F DB, 75°F WB. Nominal heating capacities are based on: Indoor temperature: 70 °F DB, 60°F WB. Outdoor temperature: 47°F DB, 43°F WB.

² A fascia panel is required for unit operation and is sold separately. PC4NUFMUN is required to use Wind-Free™ functions.

*The Wind-Free™ unit delivers an air current that is under 0.15 m/s while in Wind-Free™ mode. Air velocity that is below 0.15 m/s is considered "still air" as defined by ASHRAE (American Society of Heating, Refrigerating, and Air-Conditioning Engineers).



PC4NUFMUN Panel (ordered separately)



No.	Name	Description
①	Liquid Pipe Connection	Ø 3/8" Flare
②	Gas Pipe Connection	Ø 5/8" Flare
③	Drain Pipe Connection	OD 1 1/4", ID 1"
④	Conduit for Power & Communication Wiring	-
⑤	Air Inlet Grille	-
⑥	Air Outlet Louver	-
⑦	Fresh Air Intake	Ø 4"

Proper clearance must be maintained around unit for proper operation.