

Samsung Premium Wired Indoor Unit Controller

Job Name _____
 Purchaser _____
 Submitted to _____
 Unit Designation _____

Location _____
 Engineer _____
 Reference _____ Approval _____ Construction _____
 Schedule # _____

Features*

Easy indoor unit control

- Air handler operation ON/OFF
- Air handler operation mode, set temperature, air flow direction, fan speed
- Discharge air temperature setting (with supported indoor unit models)
- Quiet and sleep modes
- Error display
- Filter replacement alarm display and reset
- Single indoor unit control or multiple unit control (maximum 16 units)
- Time synchronization with DMS2.5 gateways

Energy saving operation

- Upper/lower temperature setting
- Automatic operation stop function to turn off connected unit(s) if controller is not touched for specified amount of time (1 - 12 hours).
- Energy saving operation mode

Weekly operating schedule setting

- Weekly operating schedule
- Able to set desired A/C operation mode, setting temperature and fan speed to operate based on weekly schedules
- Able to apply schedule exception day

Other features

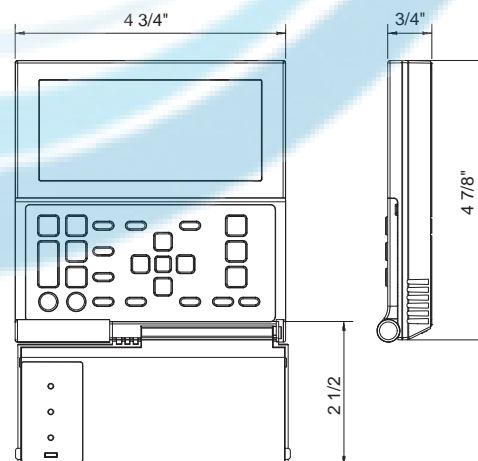
- Different button permission levels
- Partial button lock option (on/off, selection, temperature setting, fan speed, and schedule setting buttons can be locked individually)
- Backlight
- Daylight savings clock advance option
- Temperature limit setting option
- Real-time clock function; current time/day display function
- Built-in room sensor
- Display set temperature or room temperature
- Indoor unit operation state display
- Service mode support (indoor unit cycle data monitoring, option code monitoring and setting, and dip switch state monitoring)
- Independent louver control for DVM S Series 4-way cassette (AM0***N4DCH/AA) and Mini 4-way cassette (AM0***NDCH/AA) models.
- Airflow direction control for 360 Cassette (AM0**KN4DCH/AA, AC0**KN4DCH/AA) indoor units. 360 Cassette units manufactured before 7/1/2016 will require a firmware update to use MWR-WE13N (version V160628 or later). Contact Samsung HVAC technical support to obtain the firmware upgrade files. Firmware updating simple and quick using the MIM-C02N communication converter/service tool.
- Adjustable heating temperature compensation values
- Child lock
- Wind-Free™ Control (applies to AM0**NN4DCH/AA, AM0**NNNDCH/AA, AM0**NN1DCH/AA, and AC0**NN4DCH/AA when using the Wind-Free™ fascia panel)
- MDS (Motion Detection Sensor) Indirect/ Direct Control (applies to AM0**NN4DCH/AA, AM0**NNNDCH/AA, AM0**NN1DCH/AA, and AC0**NN4DCH/AA. MDS sold separately)
- Long Reach Function (applies to AM0**NN4DCH/AA, AM0**NNNDCH/AA, AM0**NN1DCH/AA, and AC0**NN4DCH/AA when using the Wind-Free™ fascia panel)



Specifications

- Compatible with Samsung DVM S Systems (AM*****/AA, MCM-D211UN), CAC systems (AC0*****/AA), and DVM Chiller FCU Kits (MIM-F00N).
- Can connect and control up to 16 indoor units on a single system or across multiple systems
- 2 Conductor connection
- DC 12V power supplied by indoor unit
- PLC (power line communication) is done on F3/F4 terminals.
- Can sense temperature via internal sensor, temperature sensor inside indoor unit, or use the average temperature between controller and air handler temperature sensors
- MWR-WE13N has screw terminals for all wiring connections, wire is not included
- 16 AWG shielded cable is necessary for proper operation

(Pictured with door open)



*Some features may not be available depending on the model of connected air handler(s)

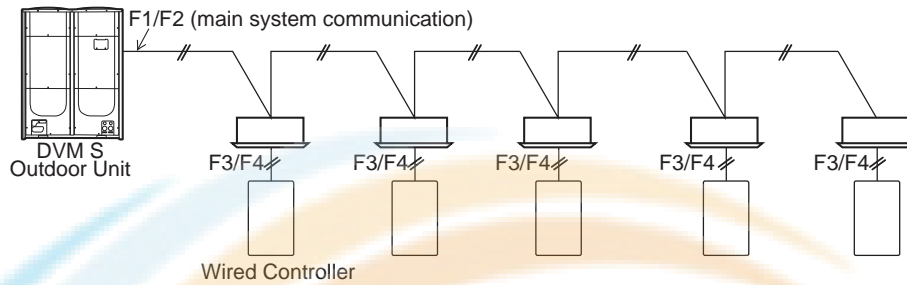
Samsung HVAC maintains a policy of ongoing development, specifications are subject to change without notice.

www.SamsungHVAC.com

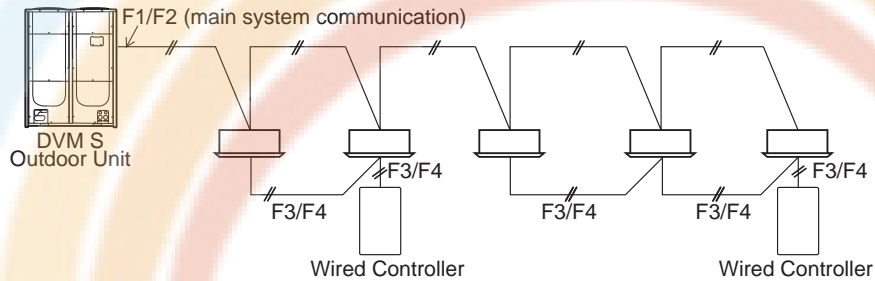
888-699-6067

Samsung Premium Wired Indoor Unit Controller Common Controller Configurations/Options

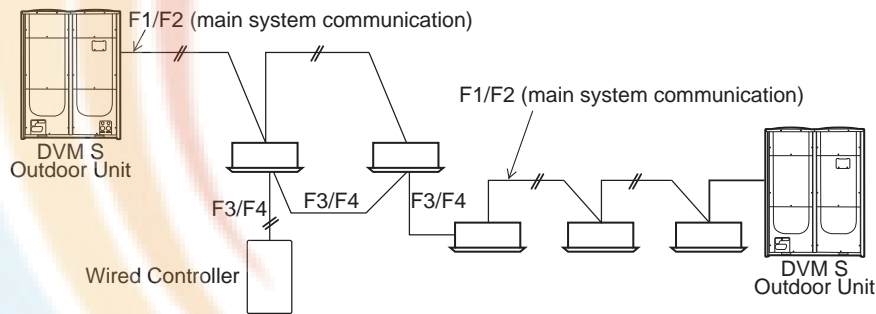
Individual control - 1 indoor unit with 1 wired control



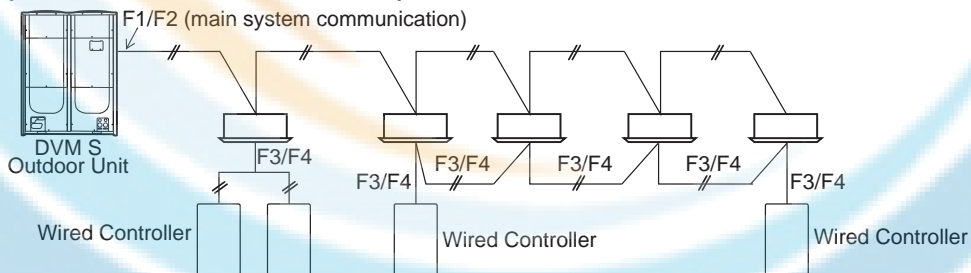
Group control - up to 16 indoor units on 1 wired controller



Group control - up to 16 indoor units on 1 wired controller on multiple refrigerant systems



Group control - control 1 or multiple indoor units with 2 wired controllers



Group control - up to 16 indoor units on multiple refrigerant systems with 2 wired controllers

